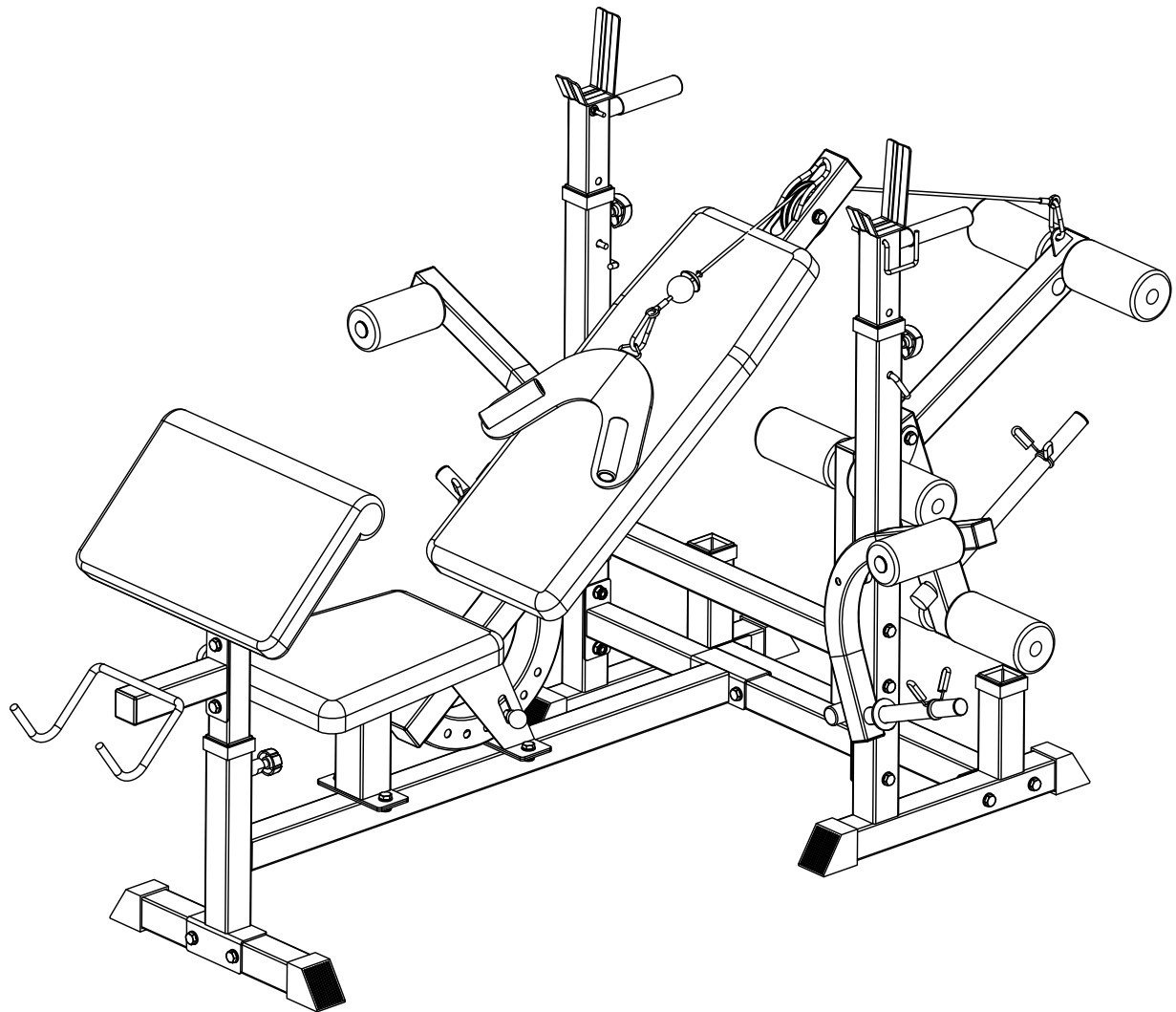


# GORILLA SPORTS

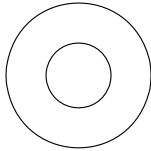
PRESS BENCH (10000115)





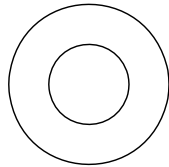
# GORILLA SPORTS

Washer: ( $\phi 8$ )



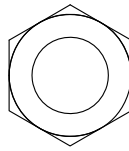
10x

Washer: ( $\phi 10$ )



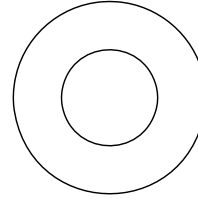
52x

Hex Nut: (M10)



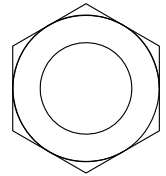
24x

Washer: ( $\phi 12$ )



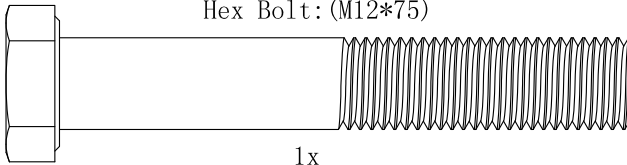
2x

Hex Nut: (M12)



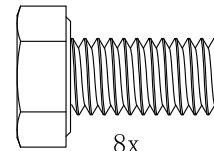
1x

Hex Bolt: (M12\*75)



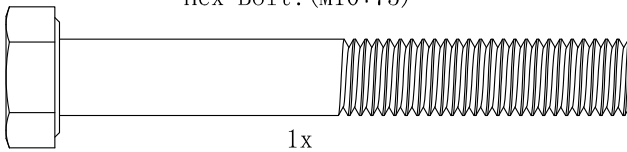
1x

Hex Bolt: (M10\*20)



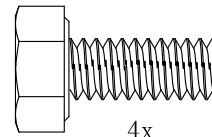
8x

Hex Bolt: (M10\*75)



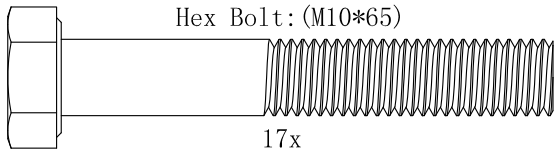
1x

Hex Bolt: (M8\*20)



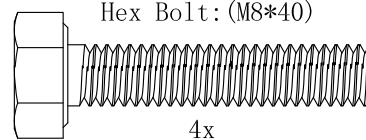
4x

Hex Bolt: (M10\*65)



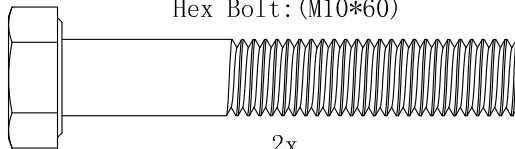
17x

Hex Bolt: (M8\*40)



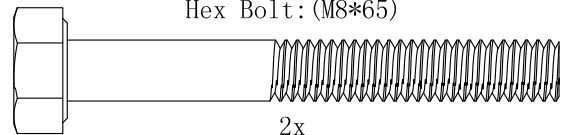
4x

Hex Bolt: (M10\*60)



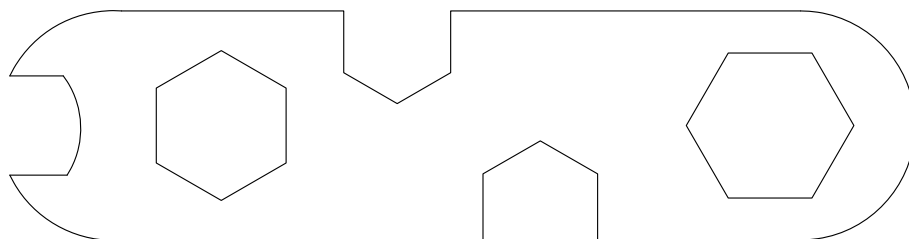
2x

Hex Bolt: (M8\*65)



2x

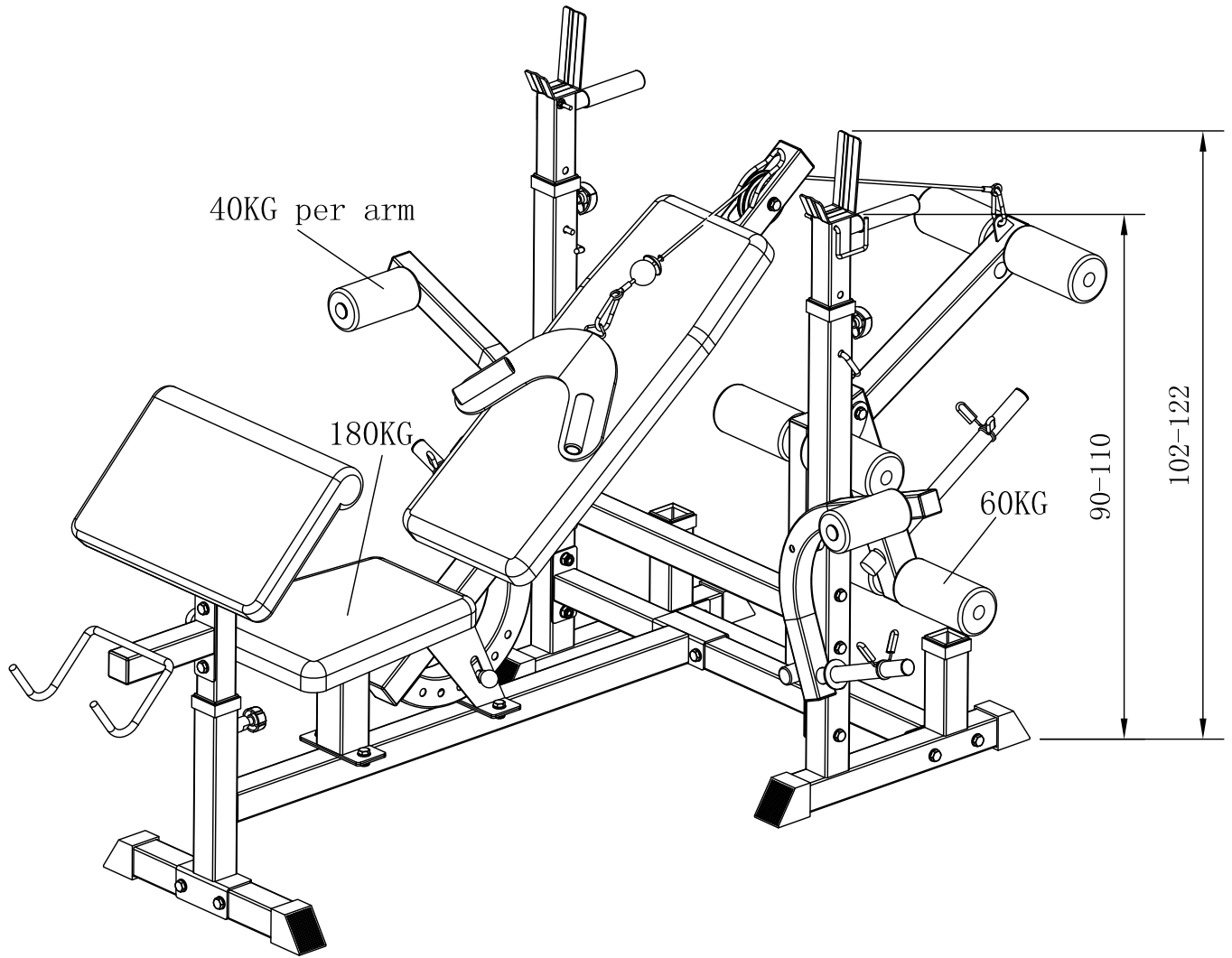
Spanner



2x



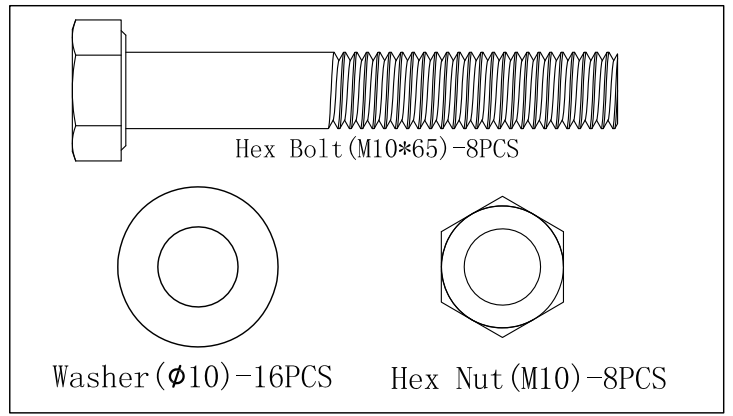
# GORILLA SPORTS



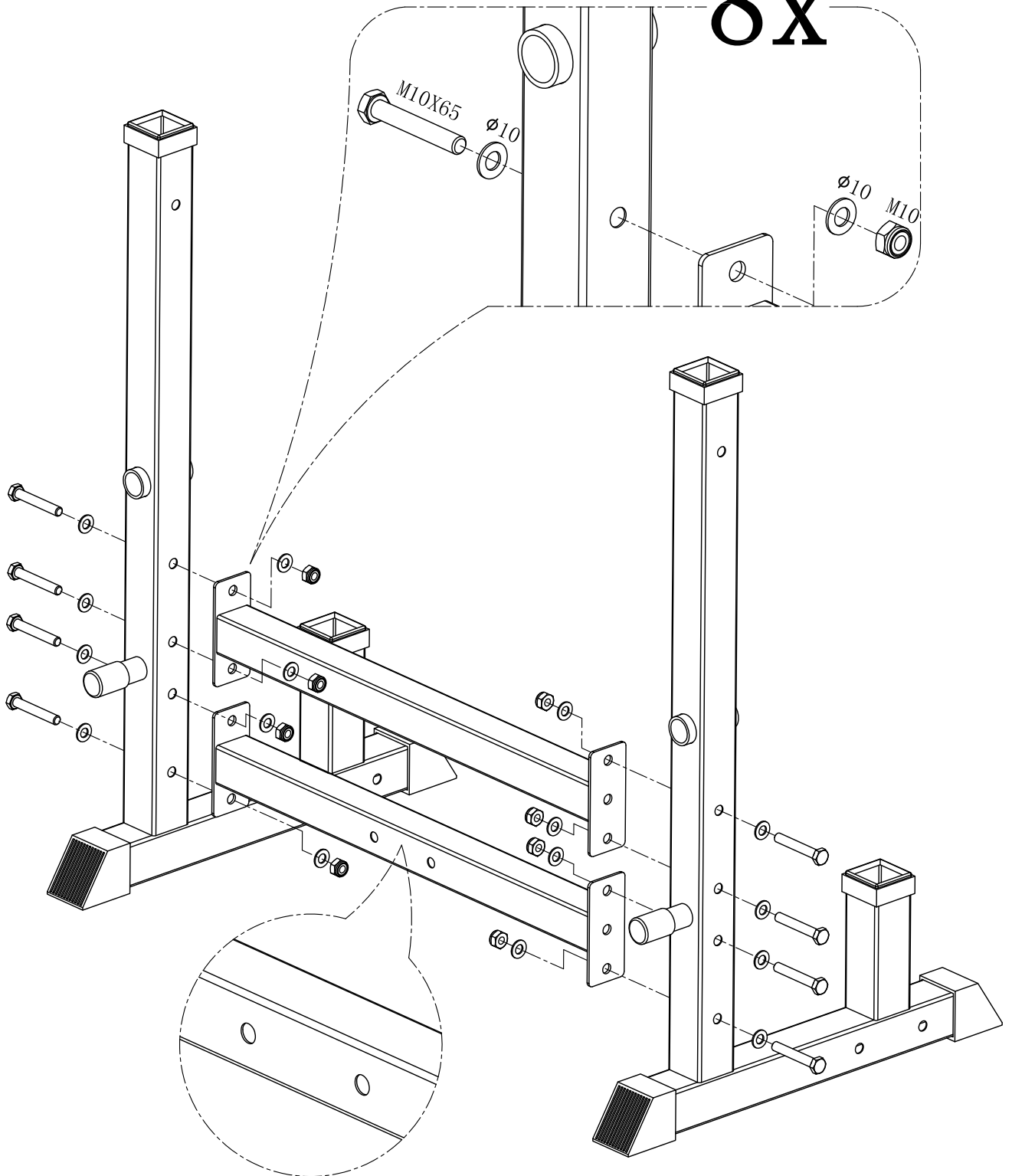
Bench Dimensions: 180 cm x 106 cm x 90-110 cm

Maximum loading: 280KG

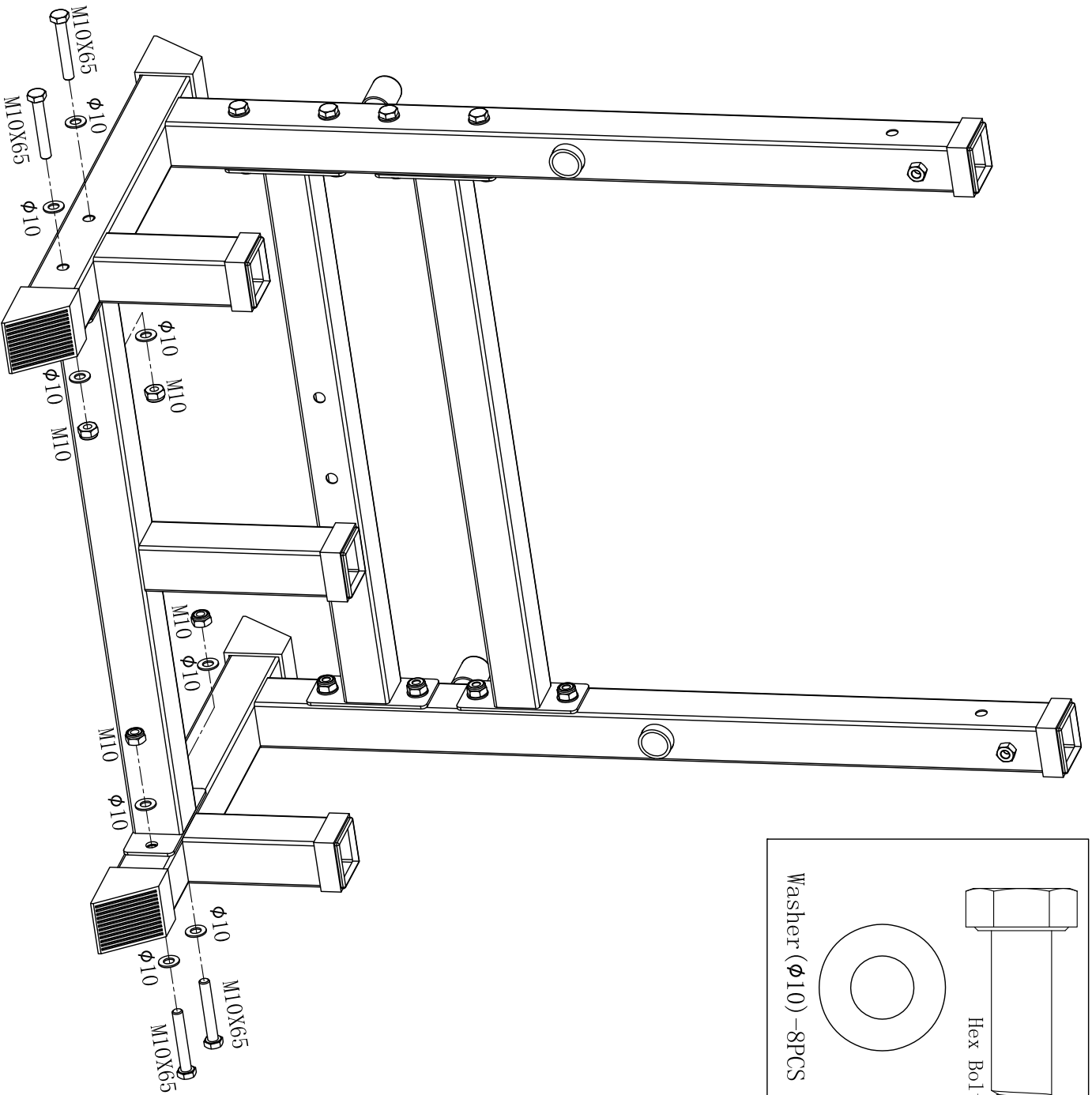
# 1



# 8x



# 2

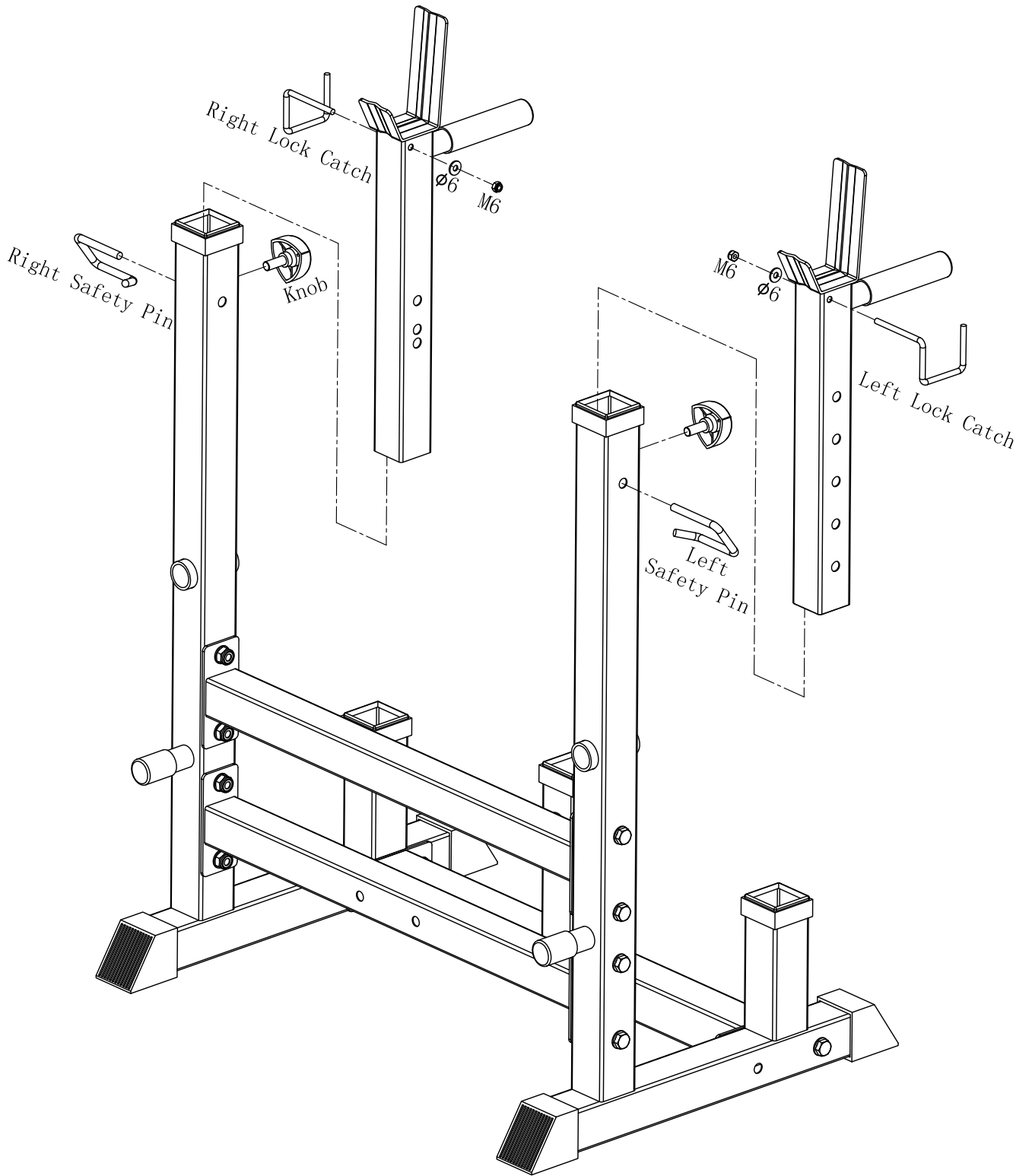


Hex Bolt (M10\*65) - 4PCS

Hex Nut (M10) - 4PCS

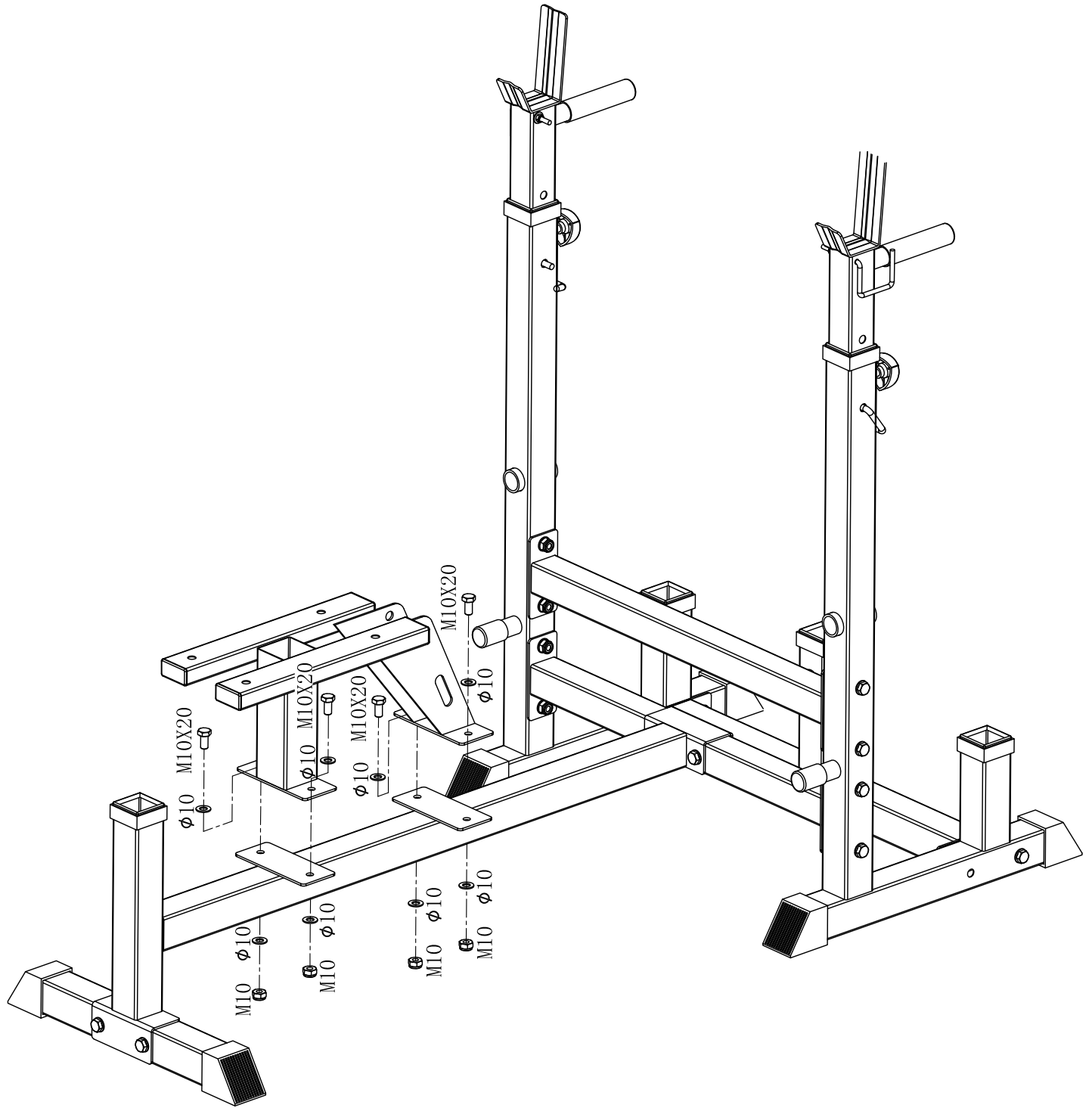
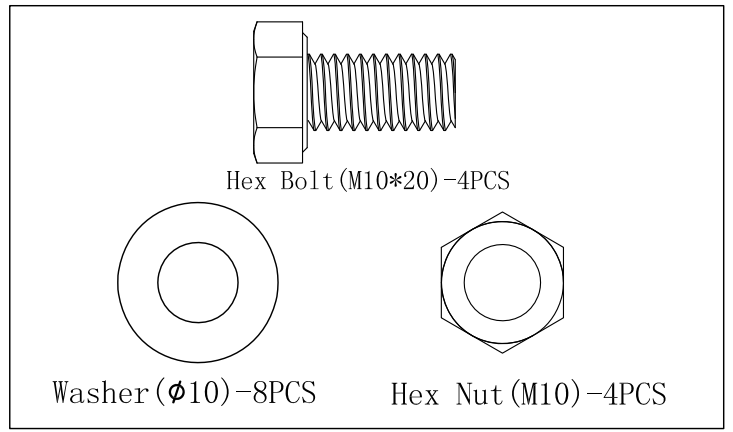
Washer (φ10) - 8PCS

# 3



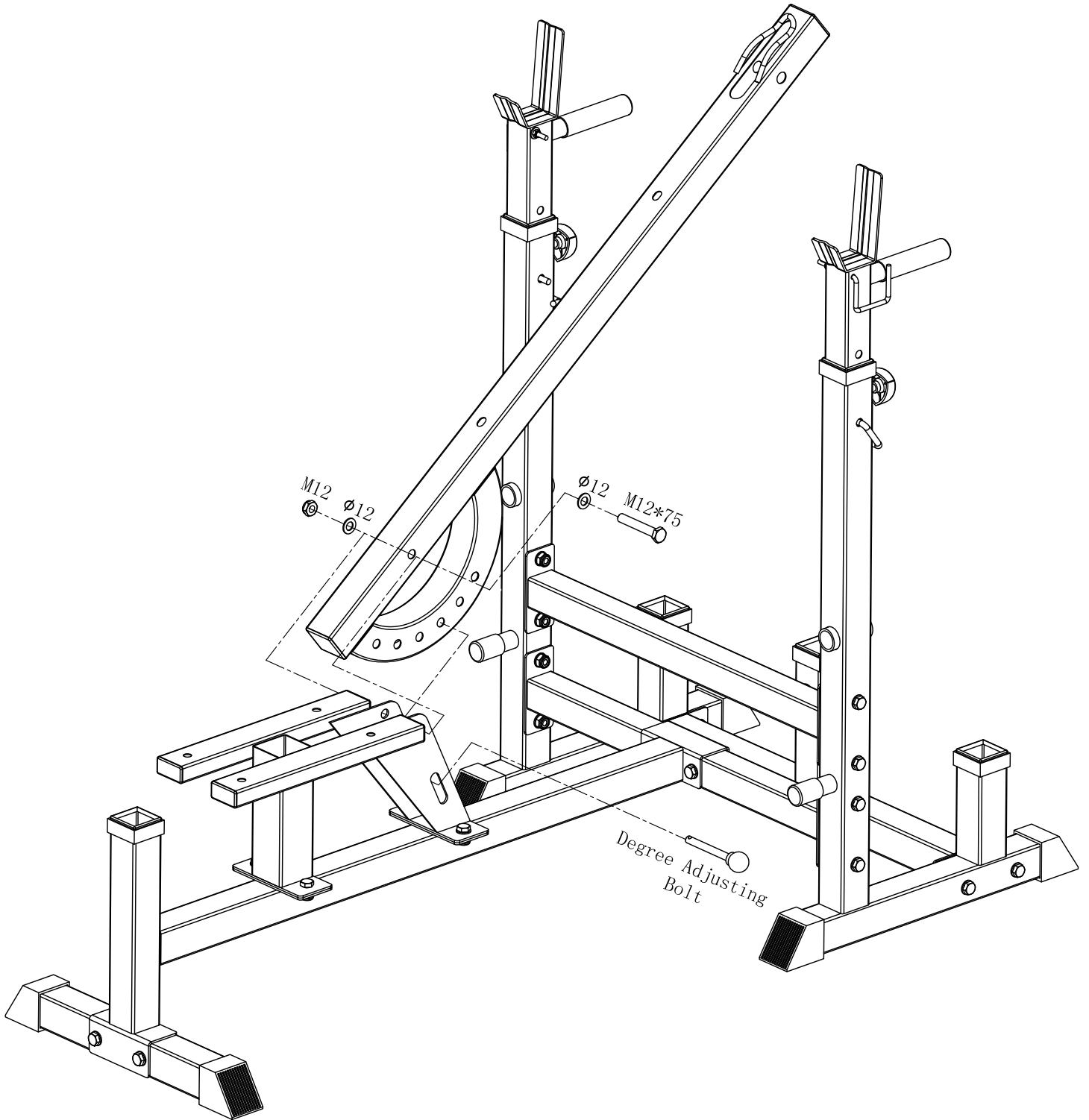
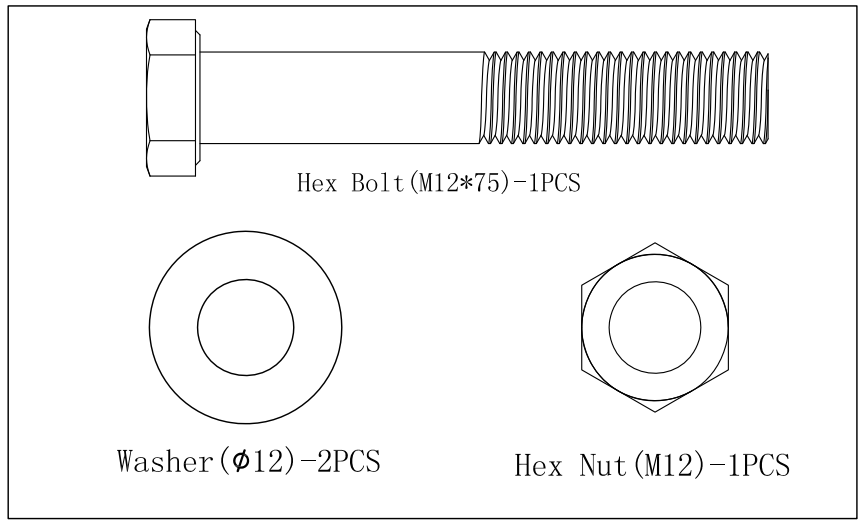


# 5

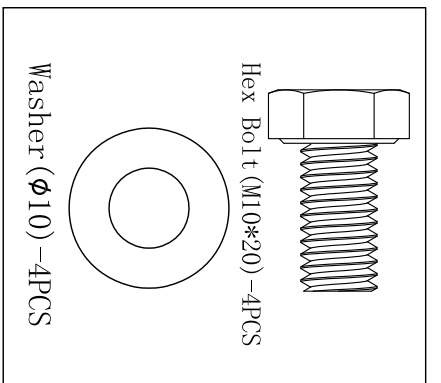
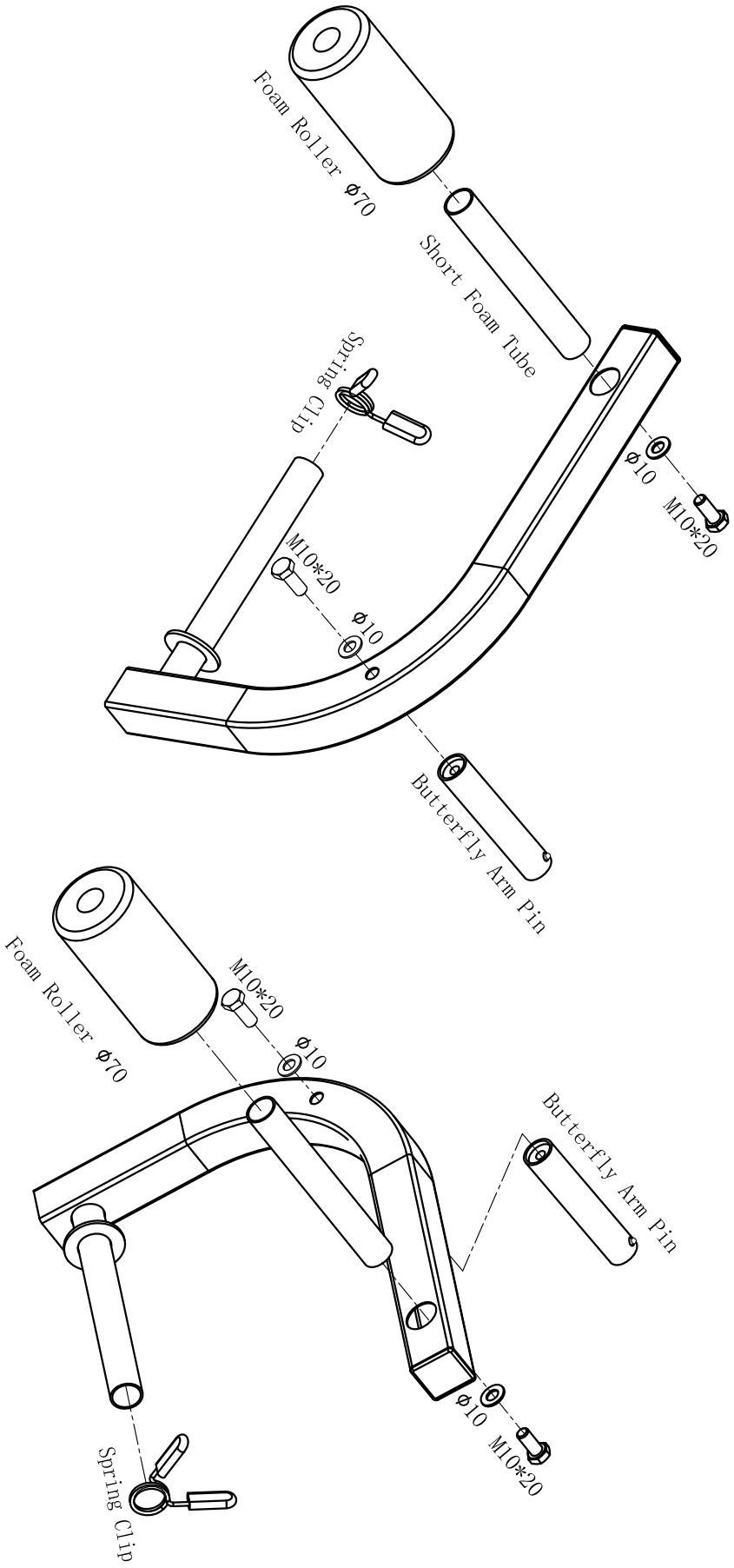




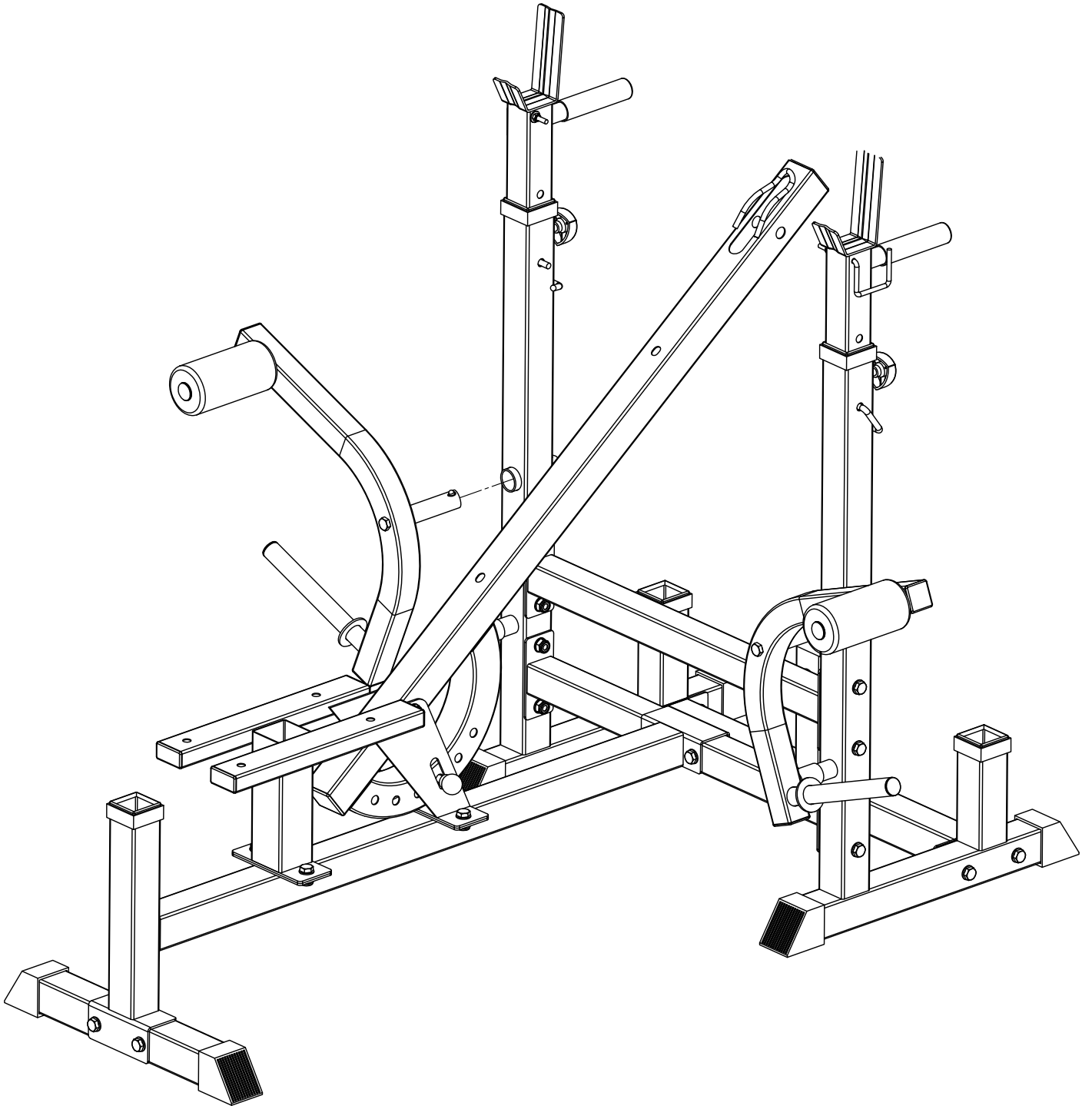
# 6

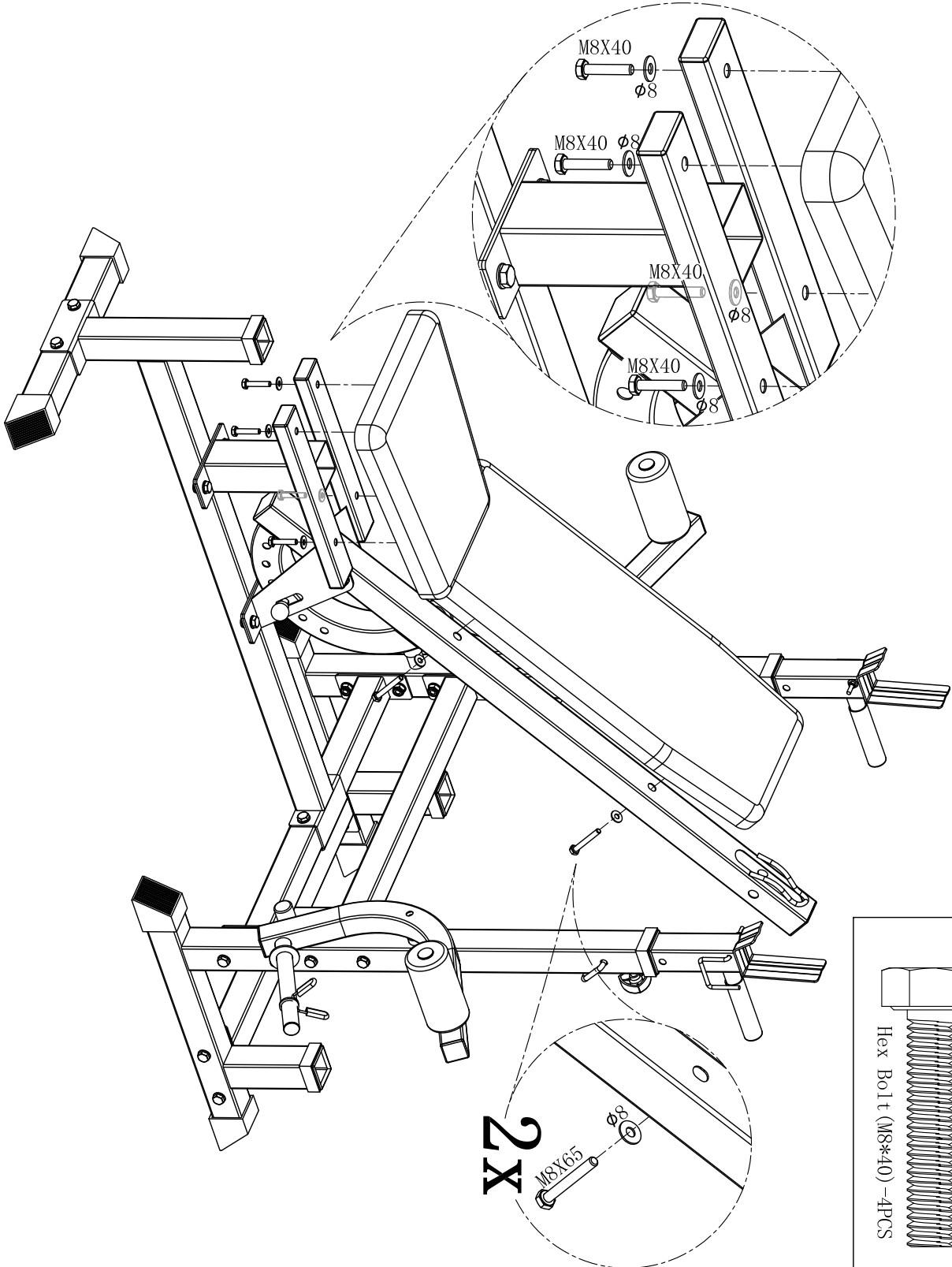


# 7



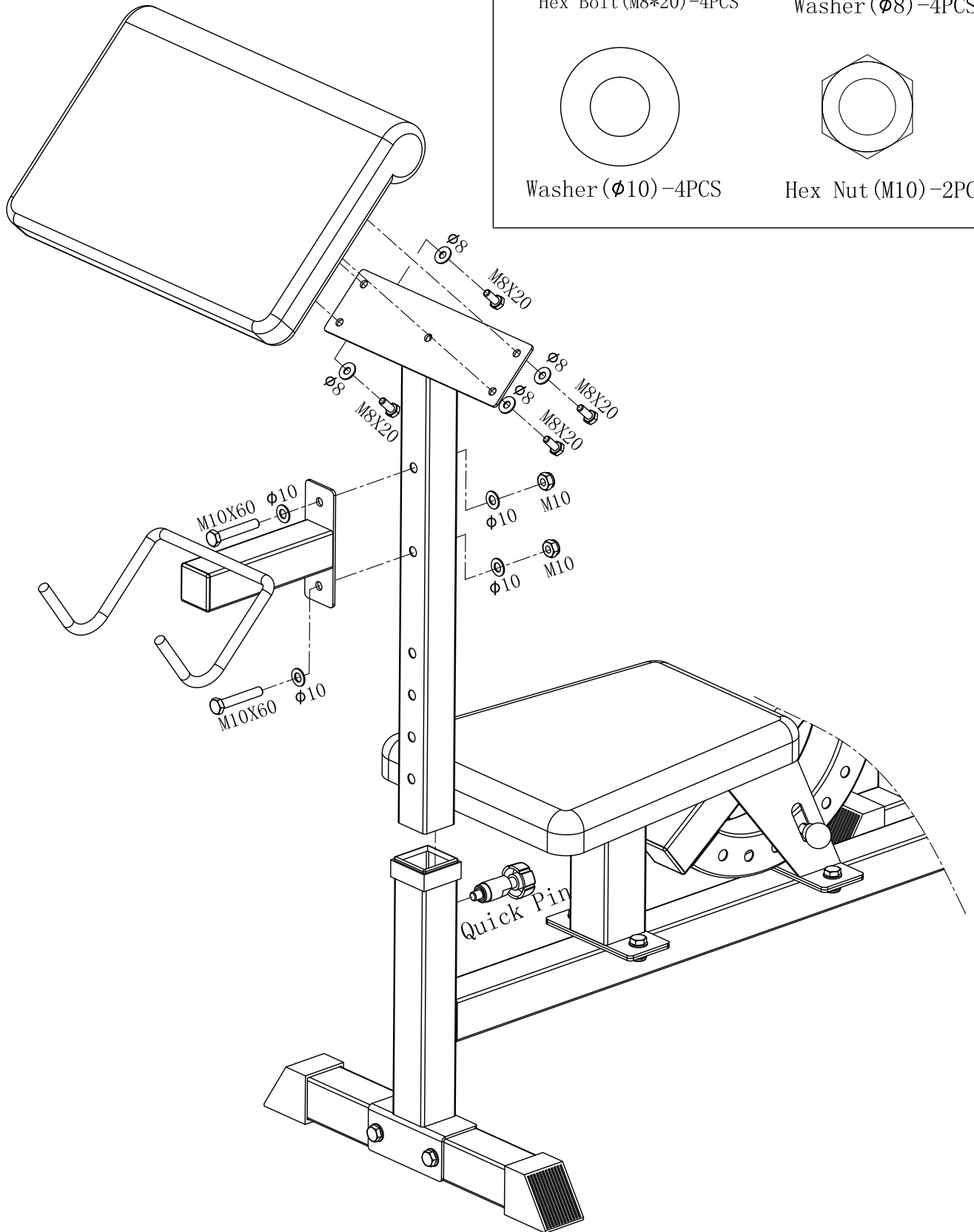
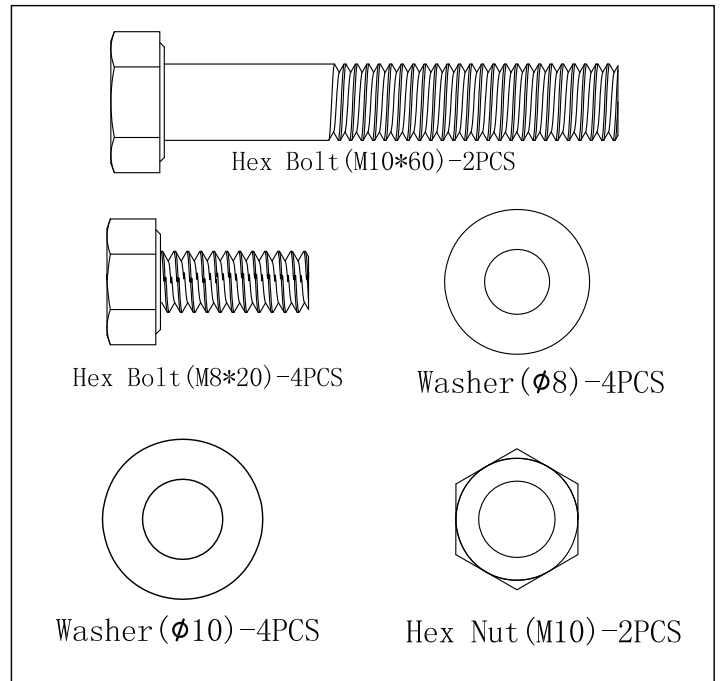
8

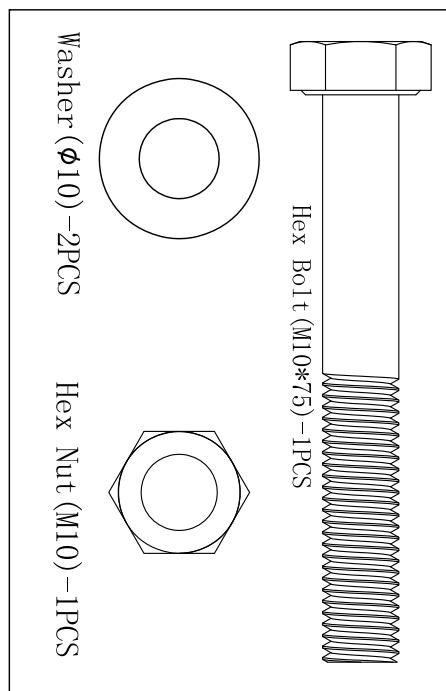
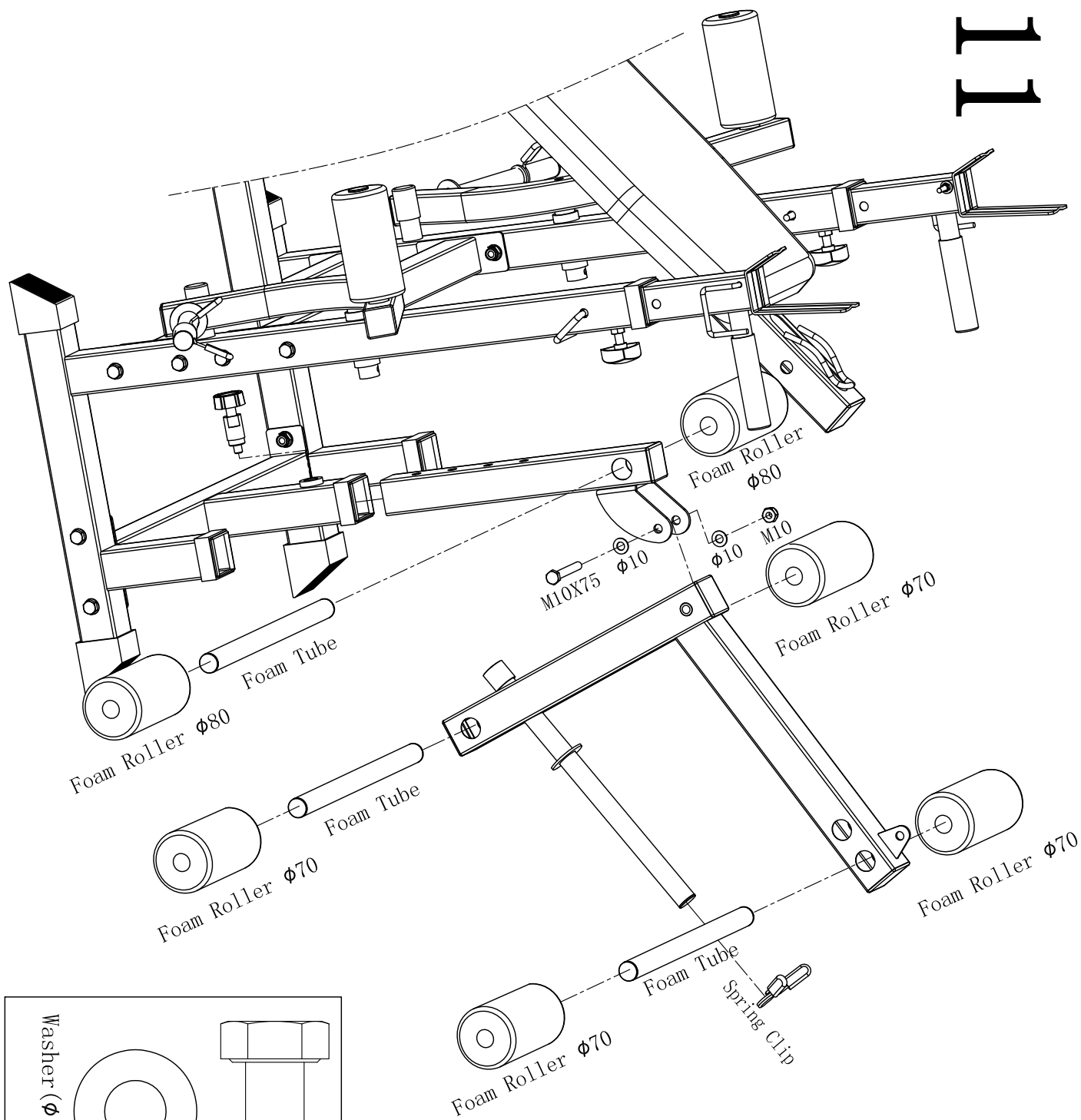


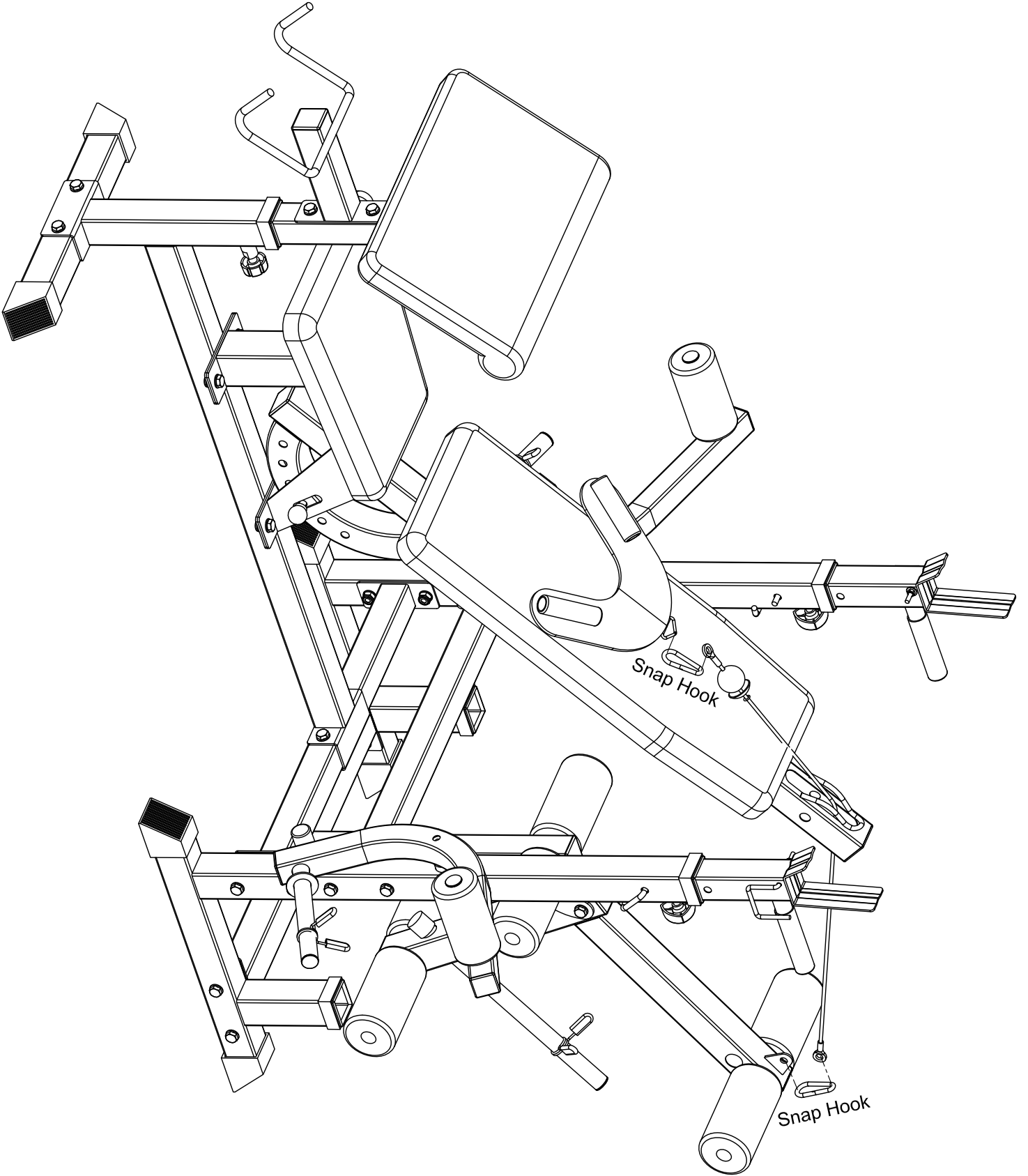


- Hex Bolt (M8\*65) - 2PCS
- Hex Bolt (M8\*40) - 4PCS
- Washer (φ8) - 6PCS

# 10







# 13

