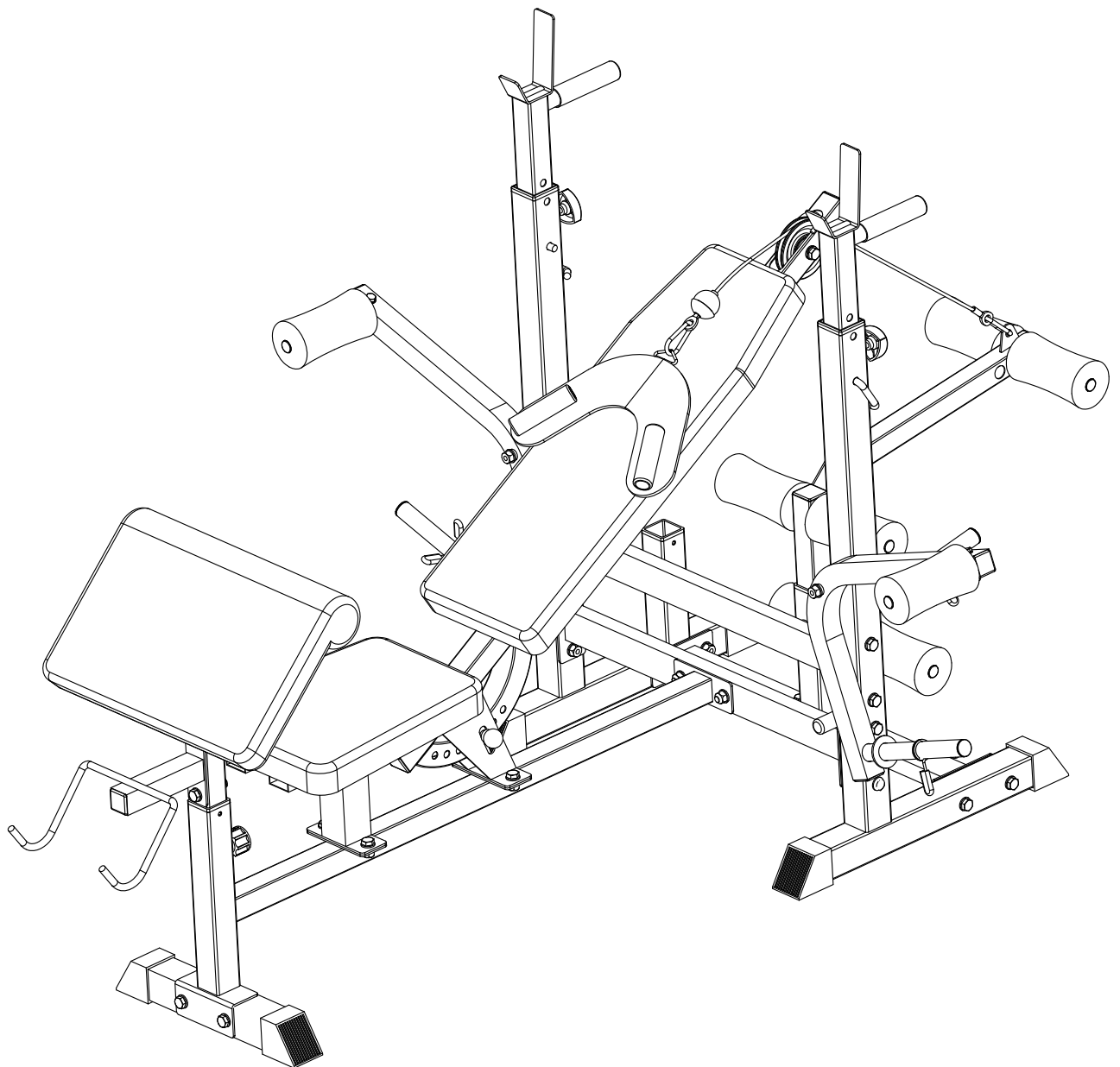




**GYRONETICS**  
**INNOVATIVE FITNESS PRODUCTS**

Bench Universal (300008)

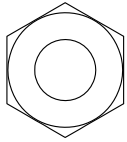




# GYRONETICS

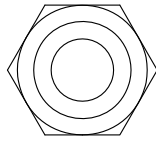
INNOVATIVE FITNESS PRODUCTS

Nut: (M8)



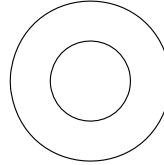
2x

Nut: (M10)



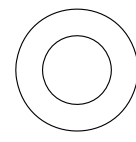
29x

Washer: ( $\phi$ 10)



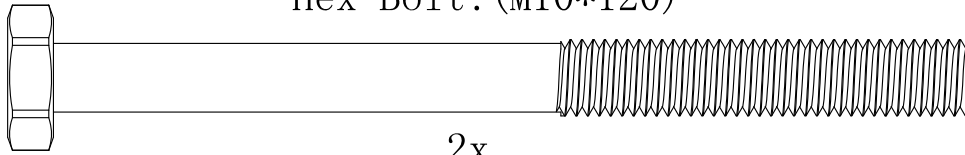
54x

Washer: ( $\phi$ 8)



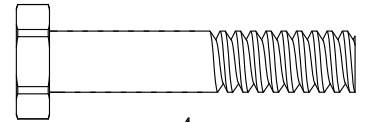
16x

Hex Bolt: (M10\*120)



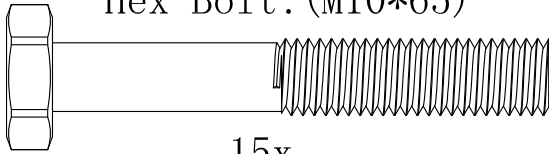
2x

Hex Bolt: (M8\*40)



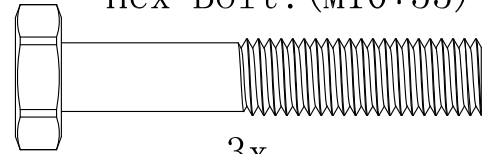
4x

Hex Bolt: (M10\*65)



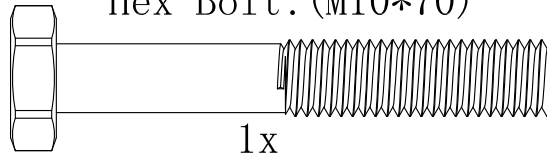
15x

Hex Bolt: (M10\*55)



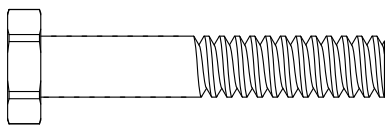
3x

Hex Bolt: (M10\*70)



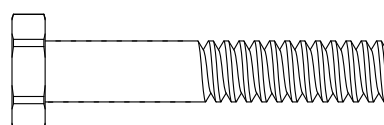
1x

Hex Bolt: (M10\*45)



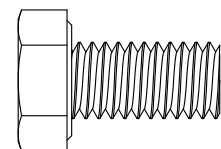
4x

Hex Bolt: (M8\*45)



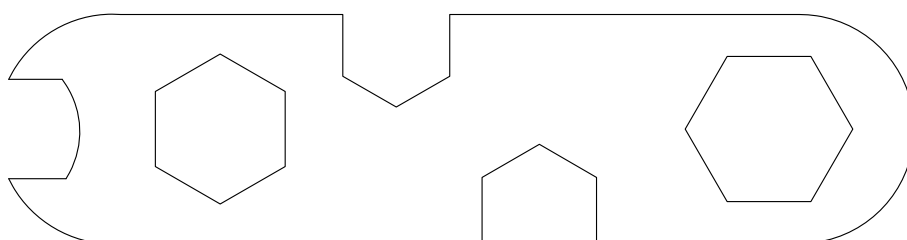
2x

Hex Bolt: (M10\*20)



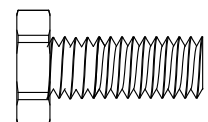
4x

Spanner



2x

Hex Bolt: (M8\*20)

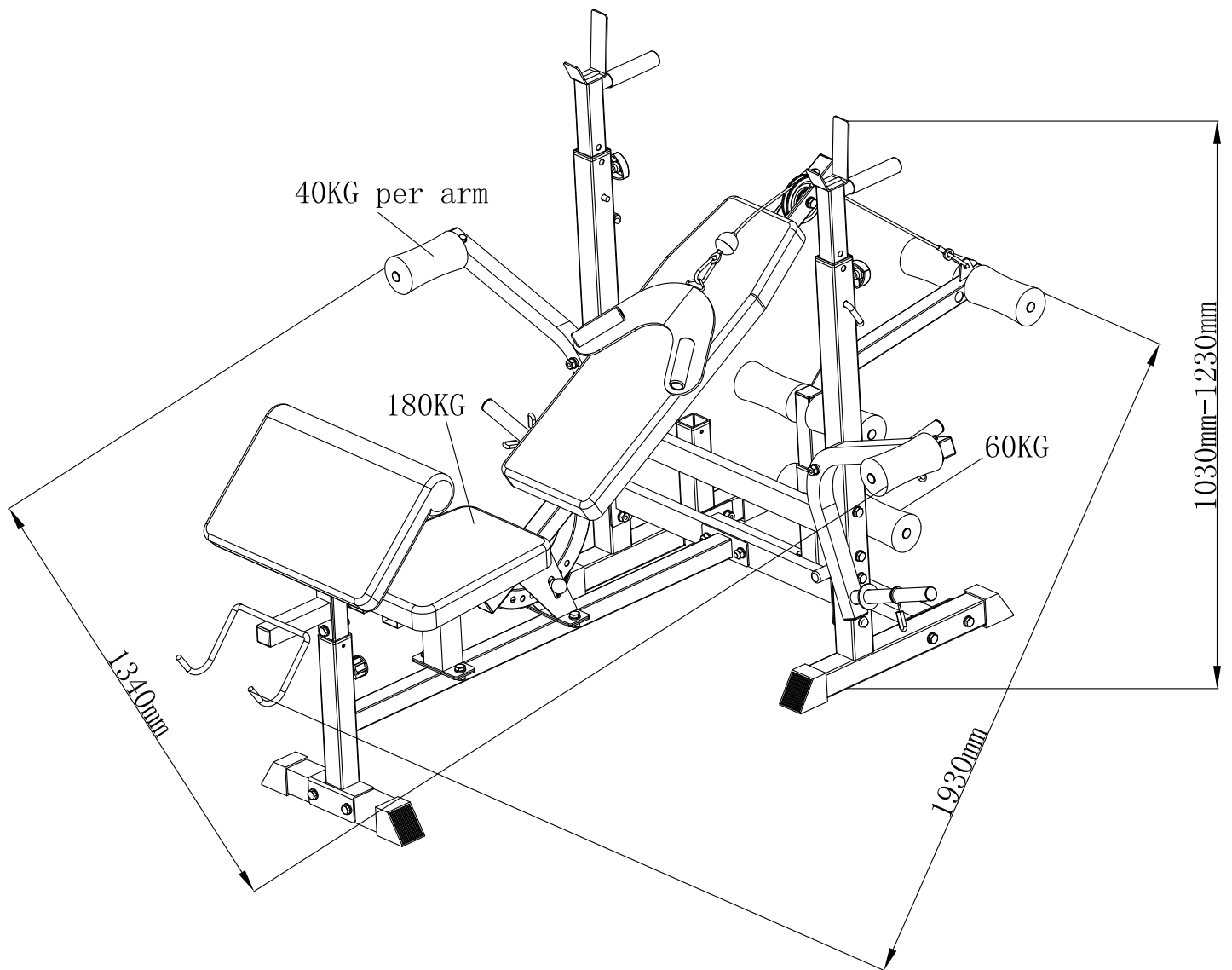


8x



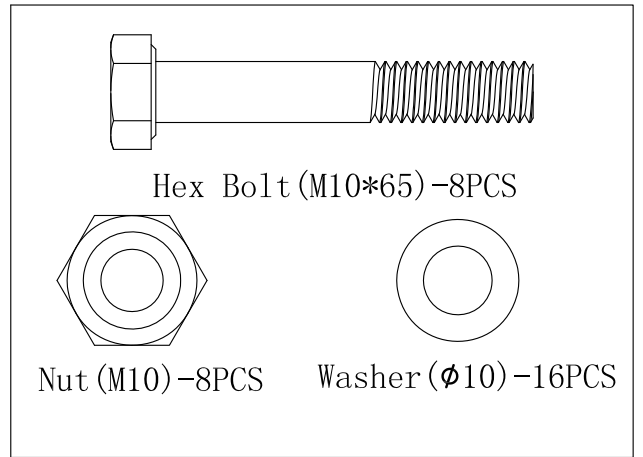
# GYRONETICS

INNOVATIVE FITNESS PRODUCTS

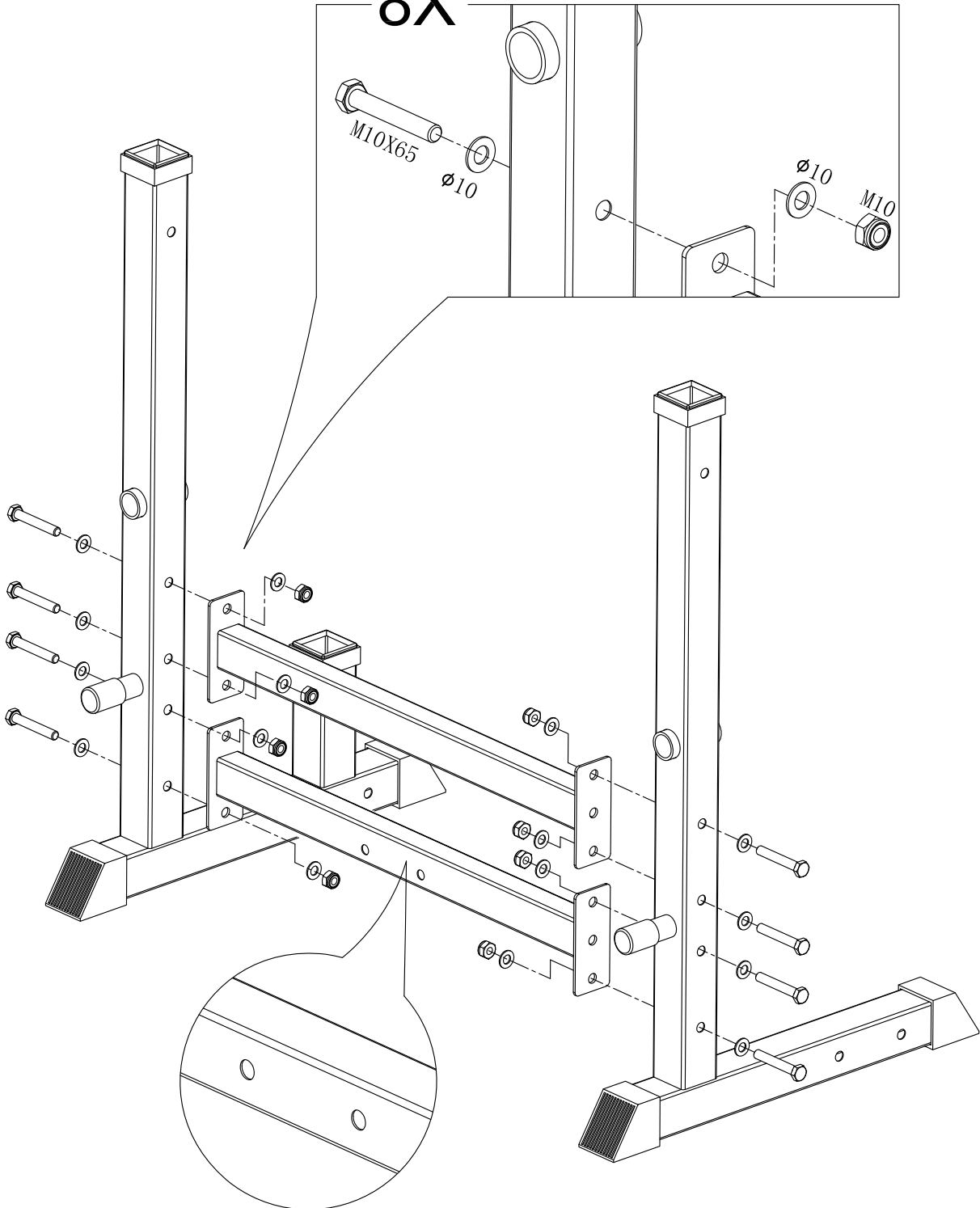


Dimensions complete: 193 cm x 71 cm (134 cm include Butterfly) x 123(max) cm  
Maximum loading: 280KG

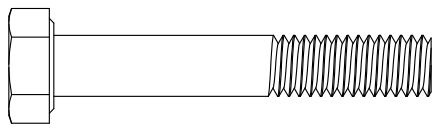
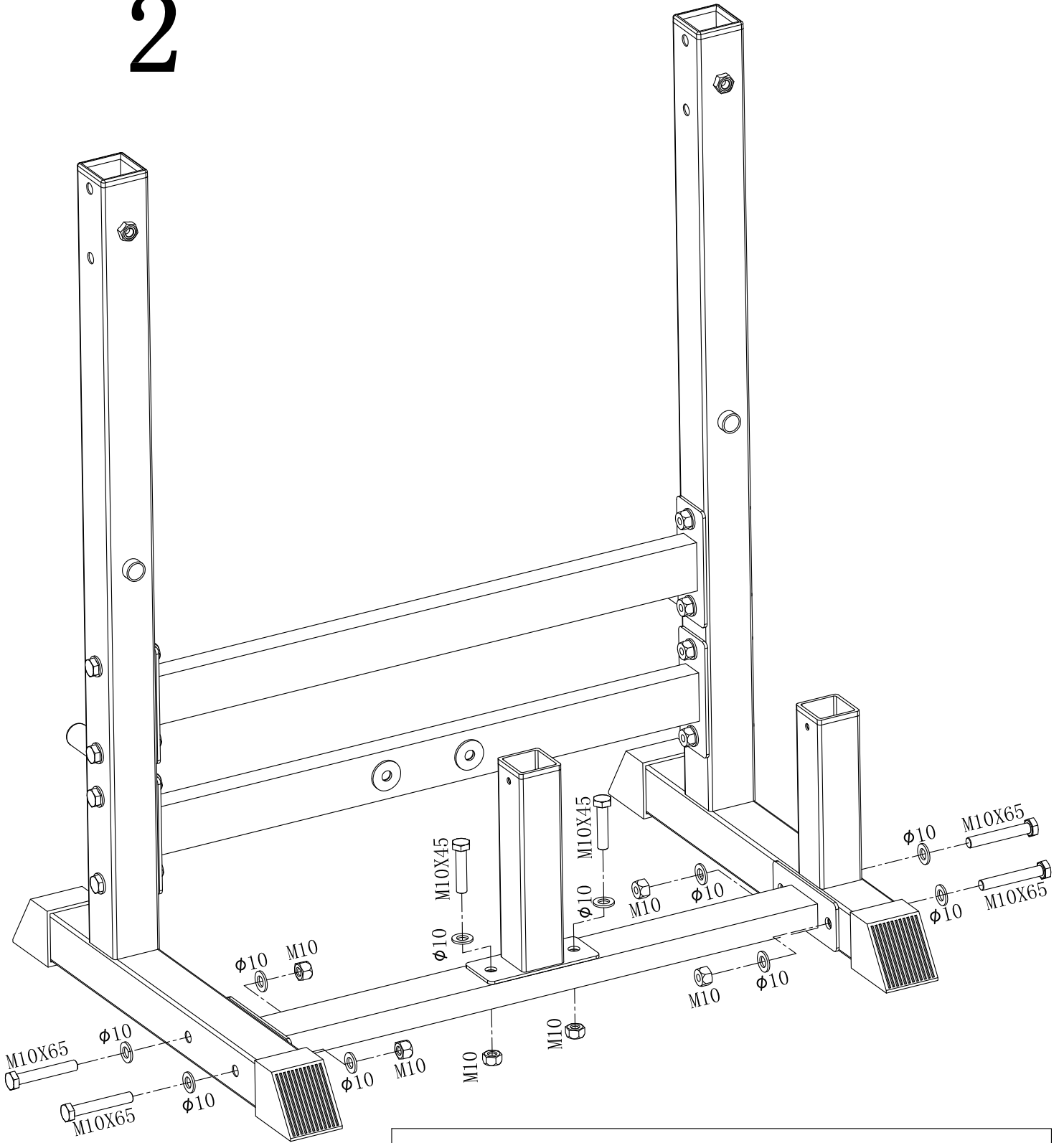
# 1



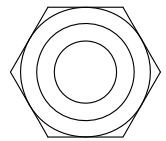
## 8X



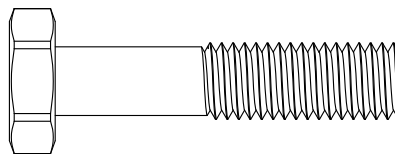
# 2



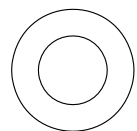
Hex Bolt (M10\*65) -4PCS



Nut (M10) -6PCS

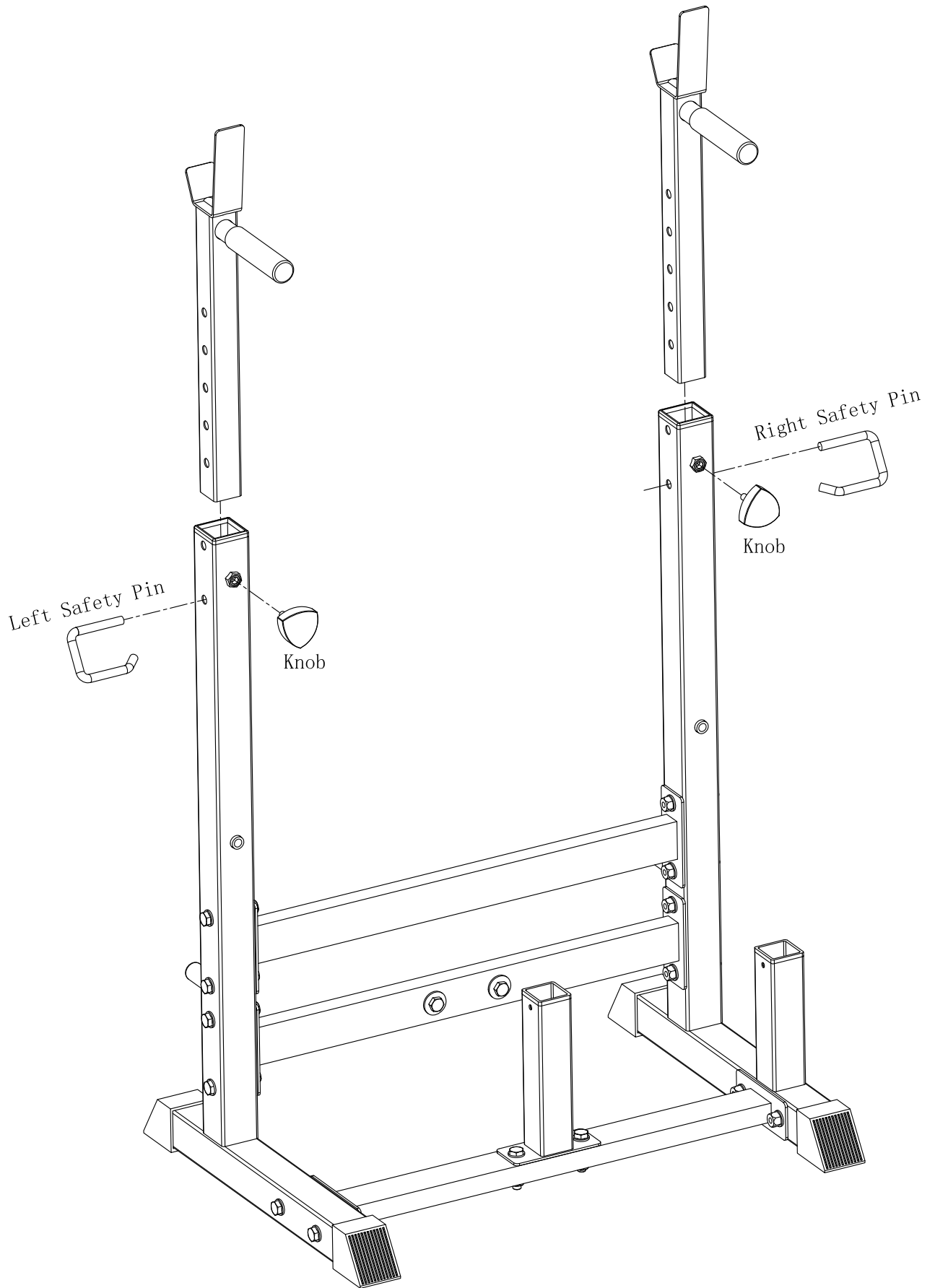


Hex Bolt (M10\*45) -2PCS

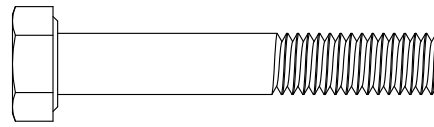


Washer (φ10) -10PCS

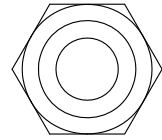
# 3



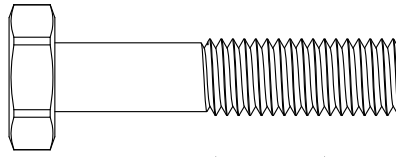
# 4



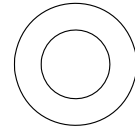
Hex Bolt (M10\*65) -2PCS



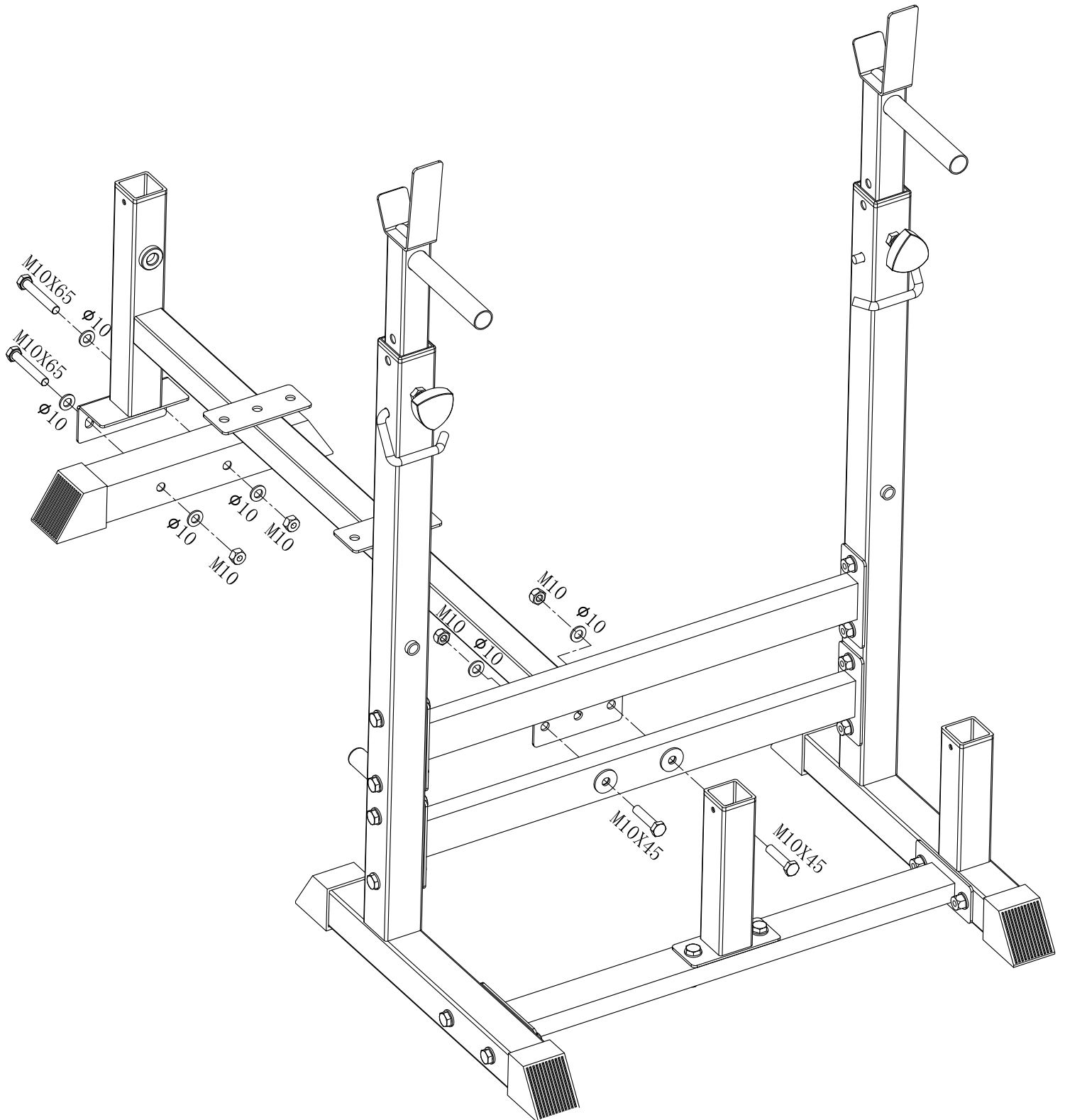
Nut (M10) -4PCS



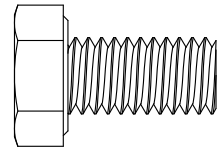
Hex Bolt (M10\*45) -2PCS



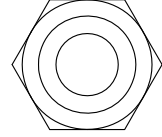
Washer (φ10) -6PCS



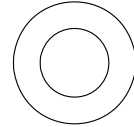
# 5



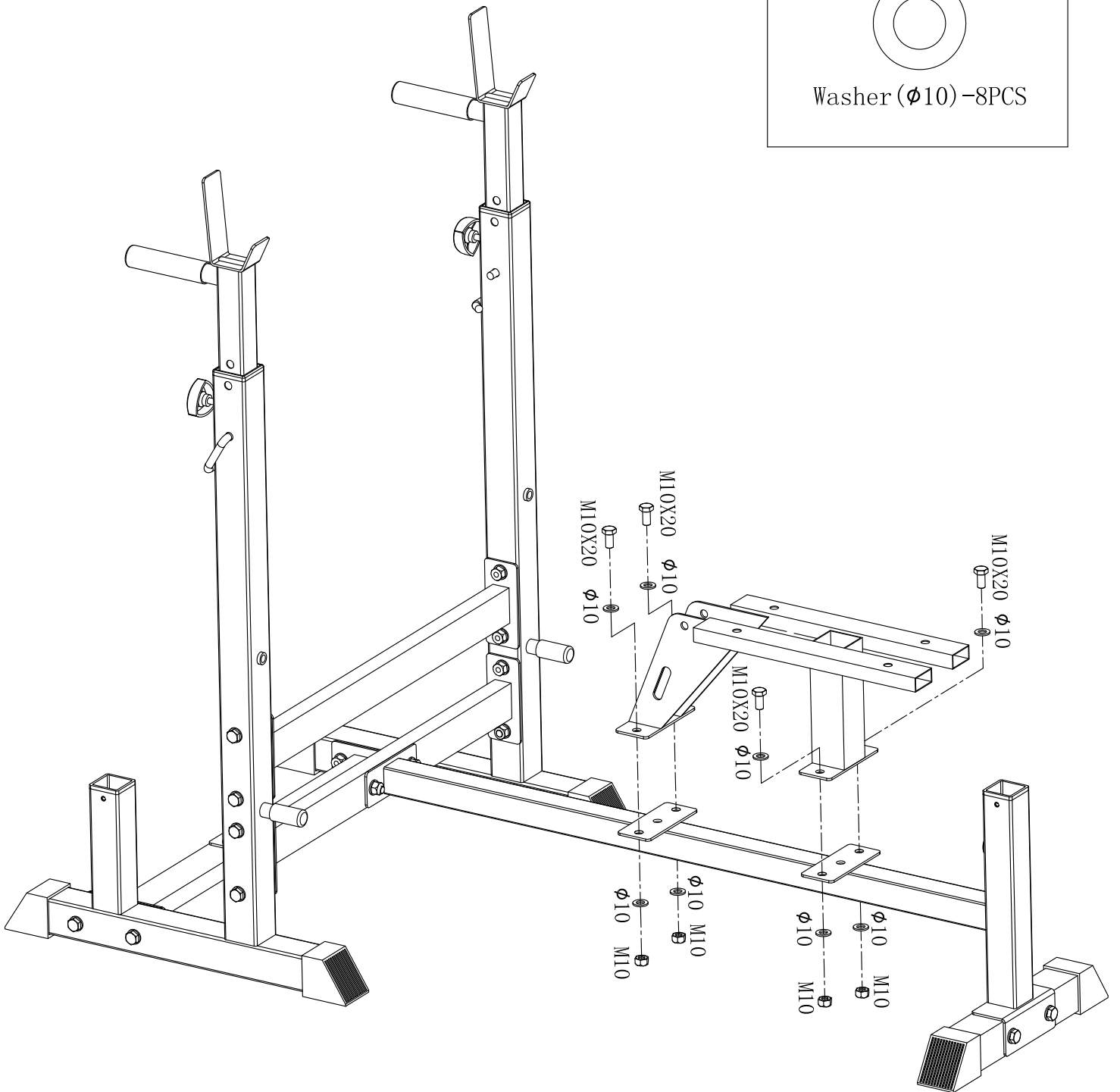
Hex Bolt (M10\*20) - 4PCS



Nut (M10) - 4PCS

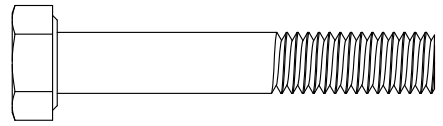


Washer (φ10) - 8PCS

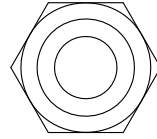




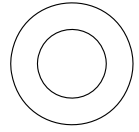
# 6



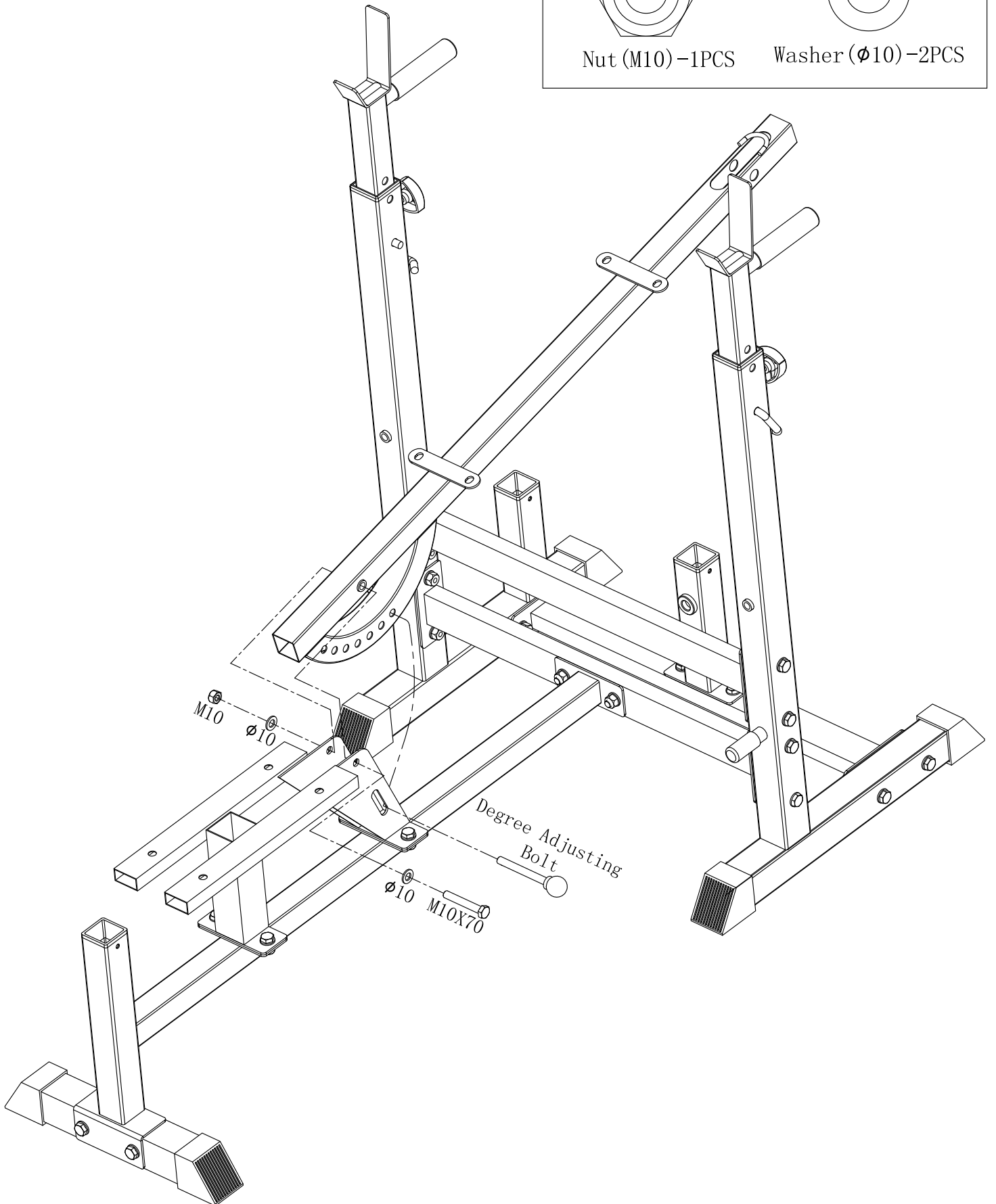
Hex Bolt (M10\*70)-1PCS



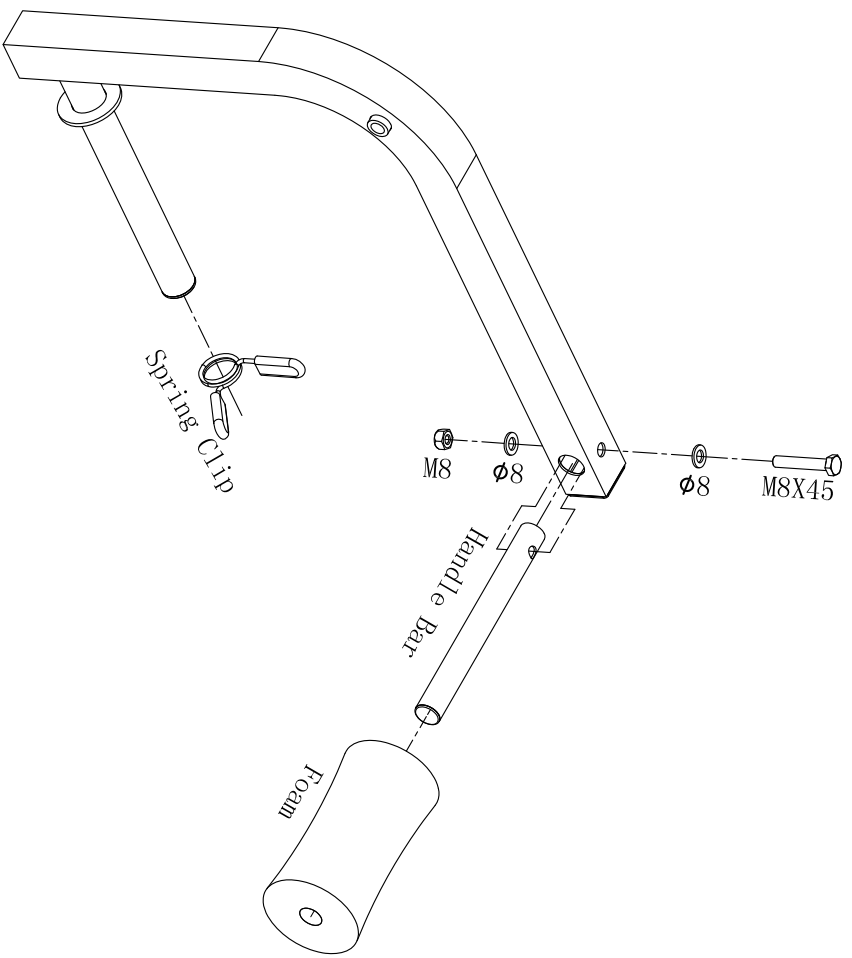
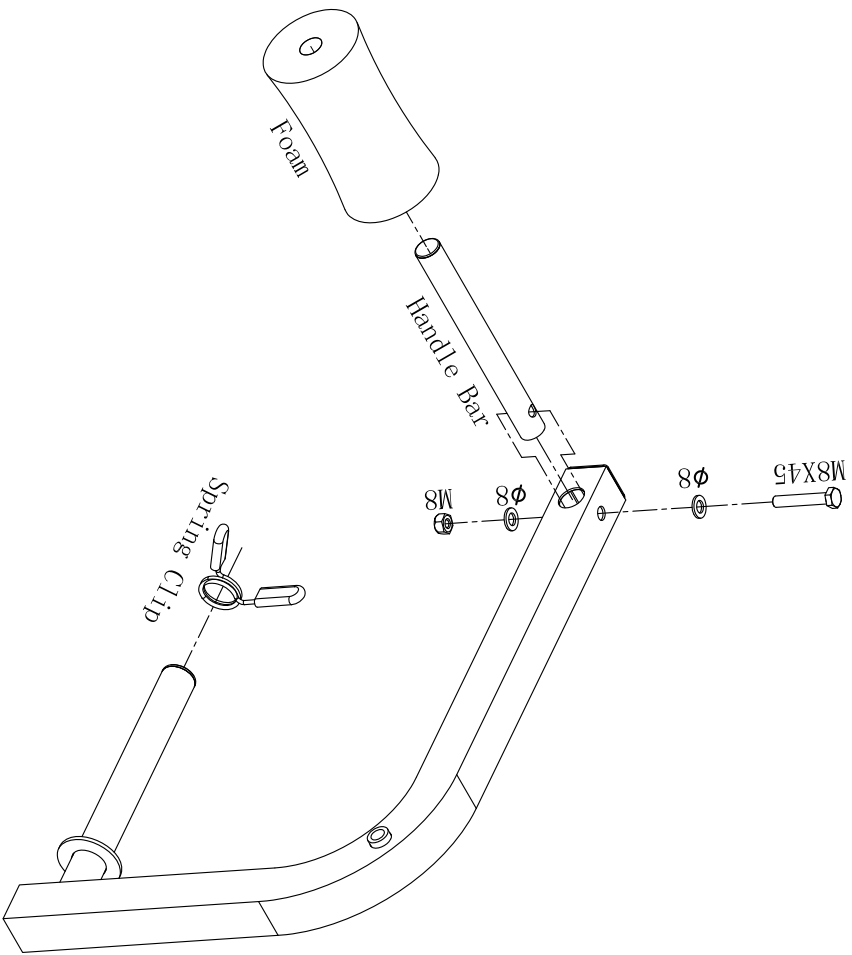
Nut (M10)-1PCS



Washer (φ10)-2PCS

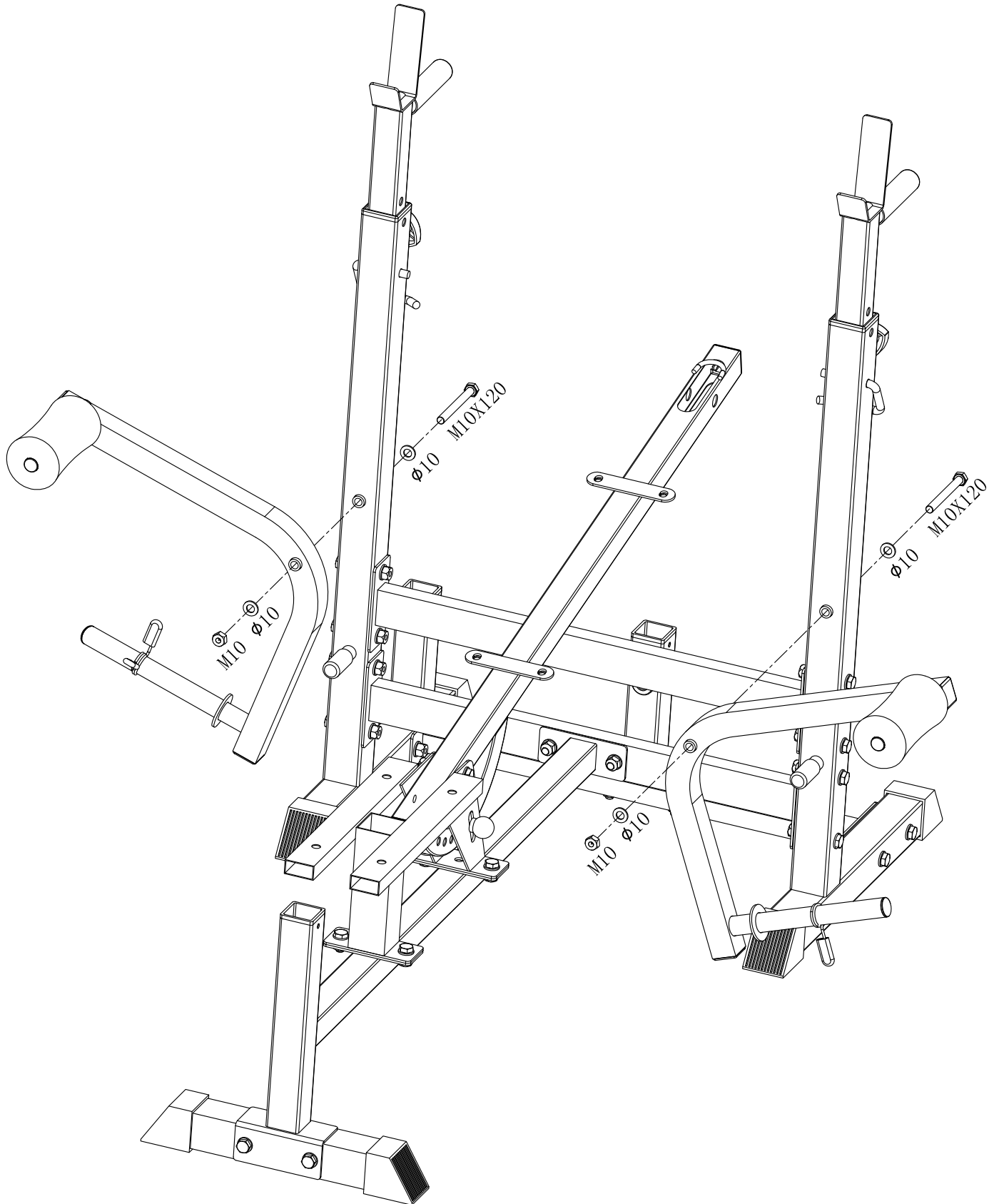
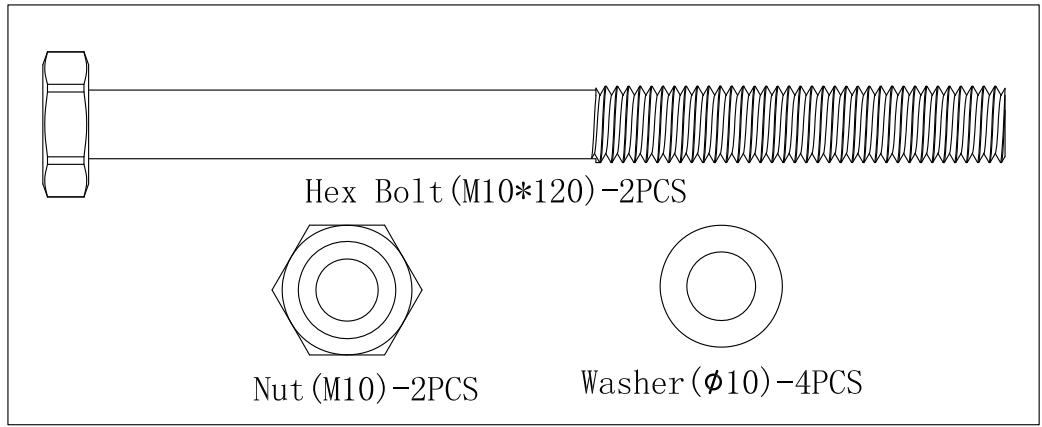


# 7

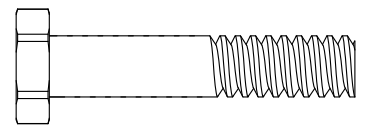


- Hex Bolt (M8\*45) - 2PCS
- Nut (M8) - 2PCS
- Washer ( $\phi 8$ ) - 4PCS

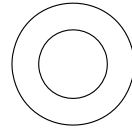
8



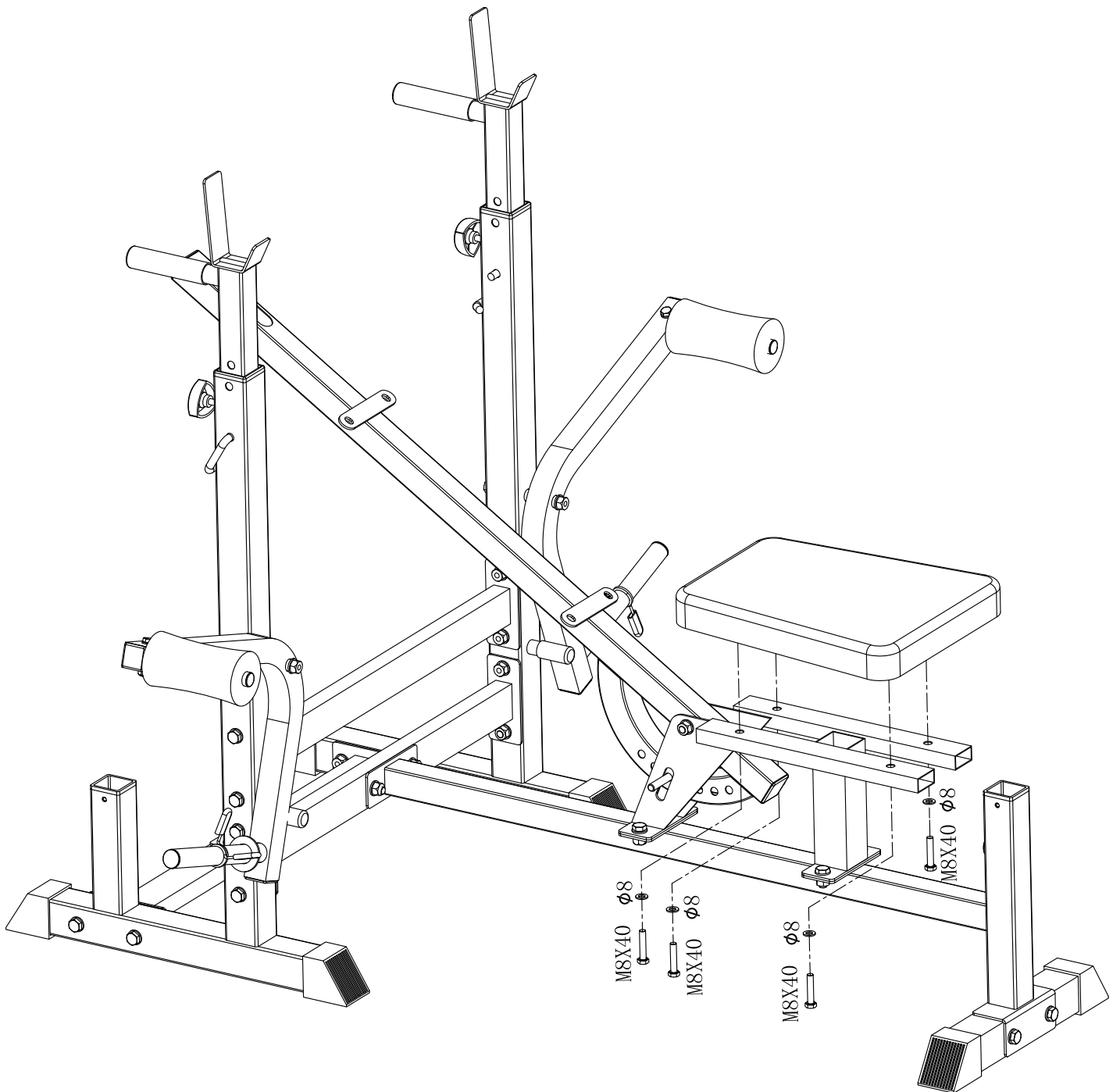
# 9



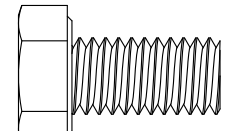
Hex Bolt (M8\*40) -4PCS



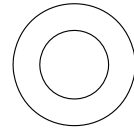
Washer (φ8) -4PCS



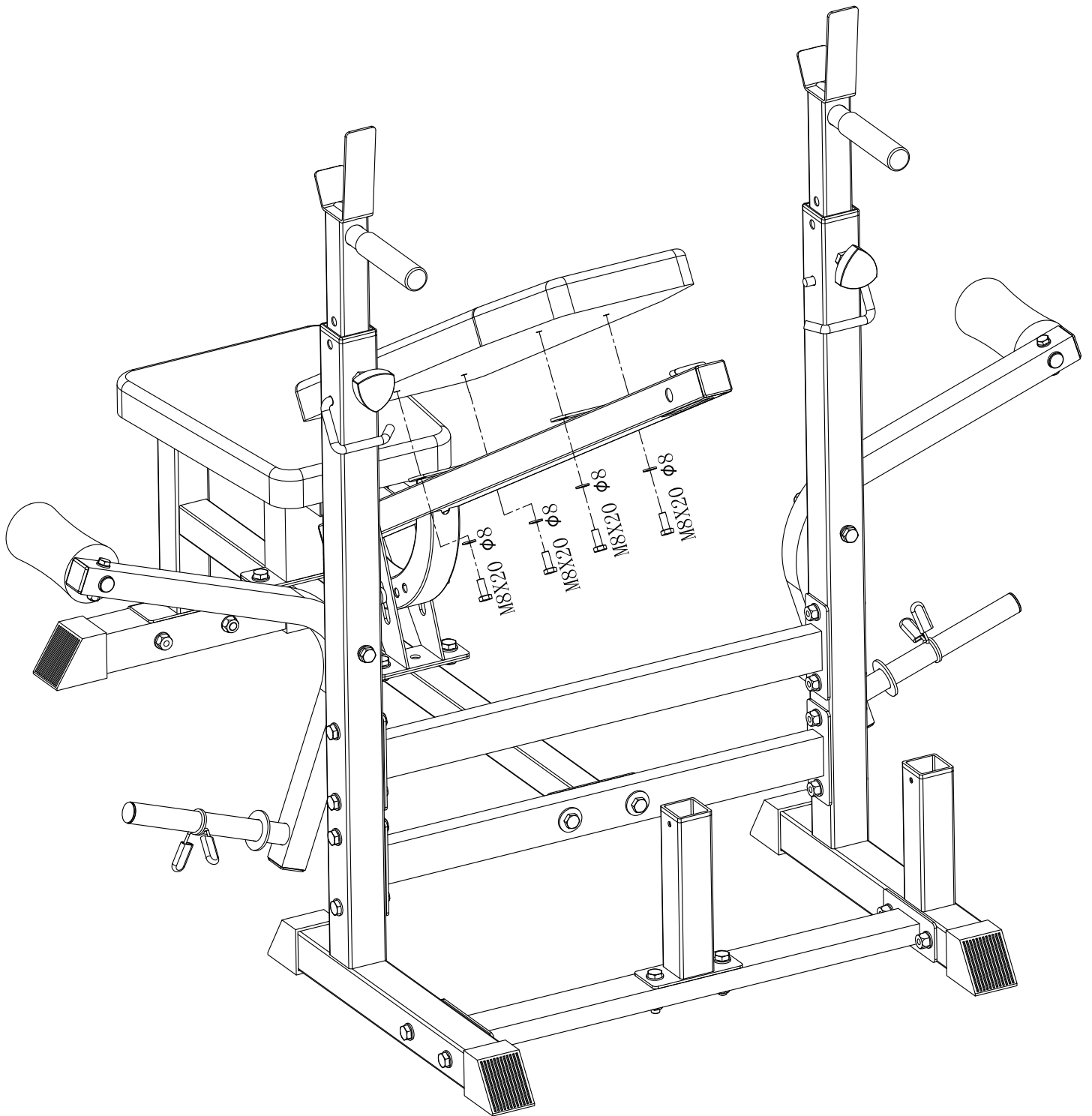
# 10



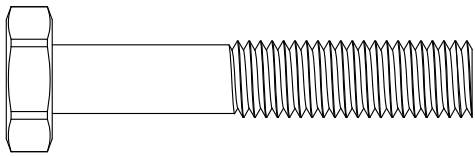
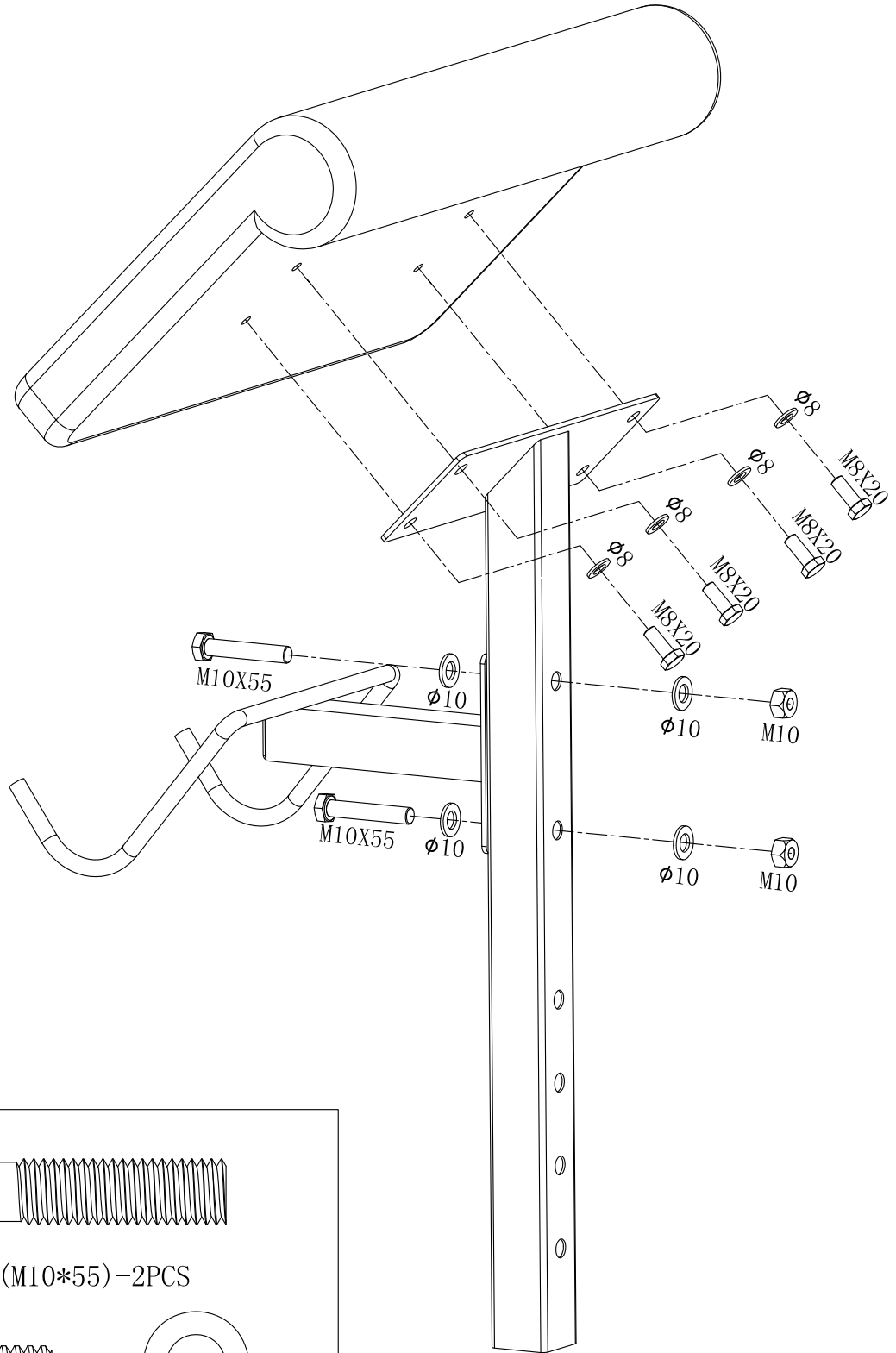
Hex Bolt (M8\*20) -4PCS



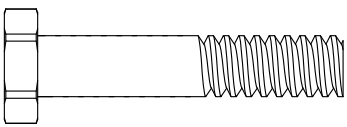
Washer (ø8) -4PCS



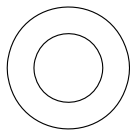
# 11



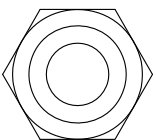
Hex Bolt (M10\*55) -2PCS



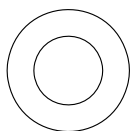
Hex Bolt (M8\*20) -4PCS



Washer (ø8) -4PCS

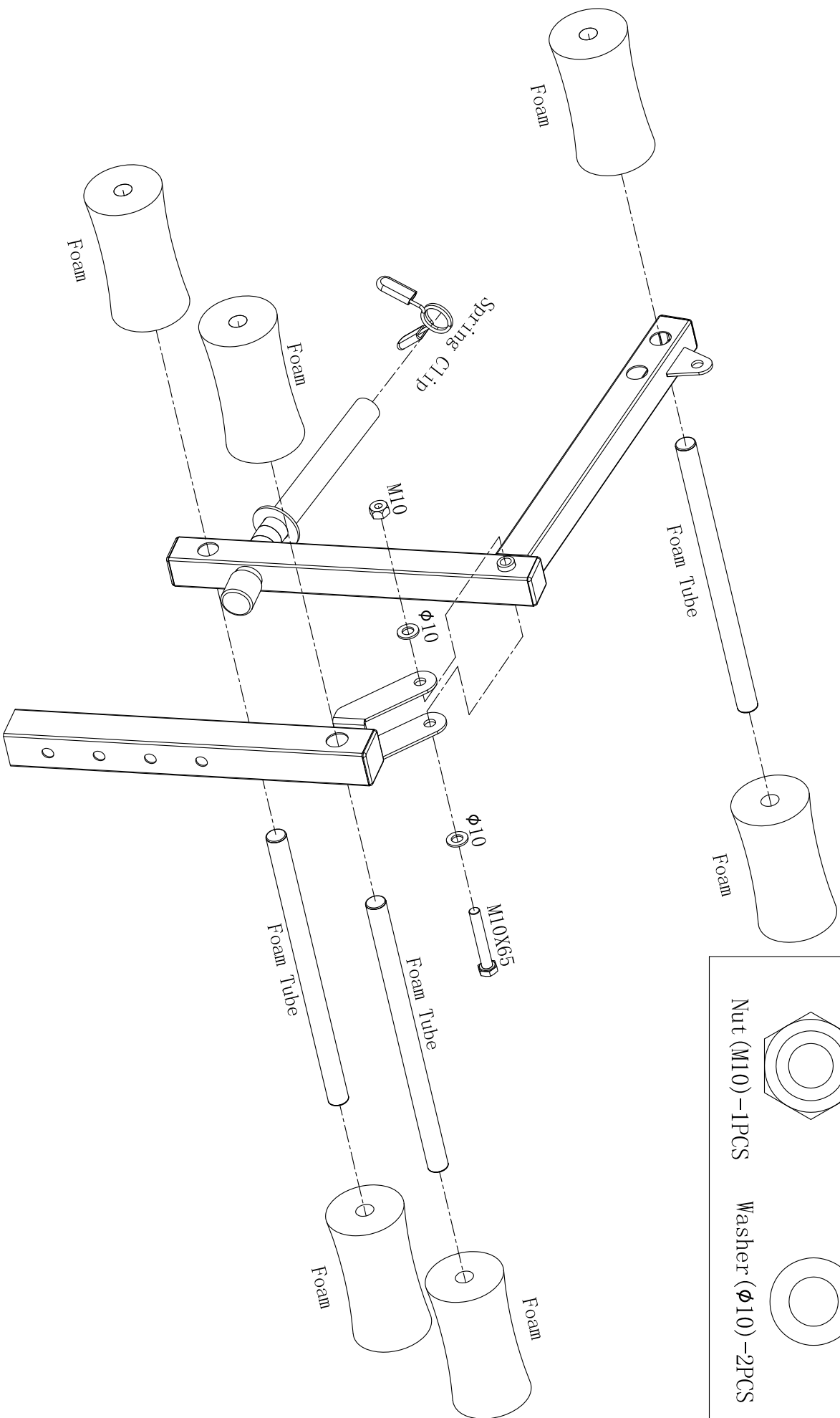


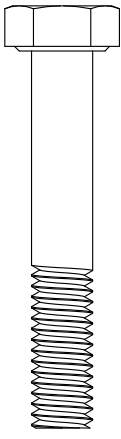
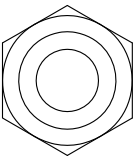
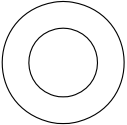
Nut (M10) -2PCS

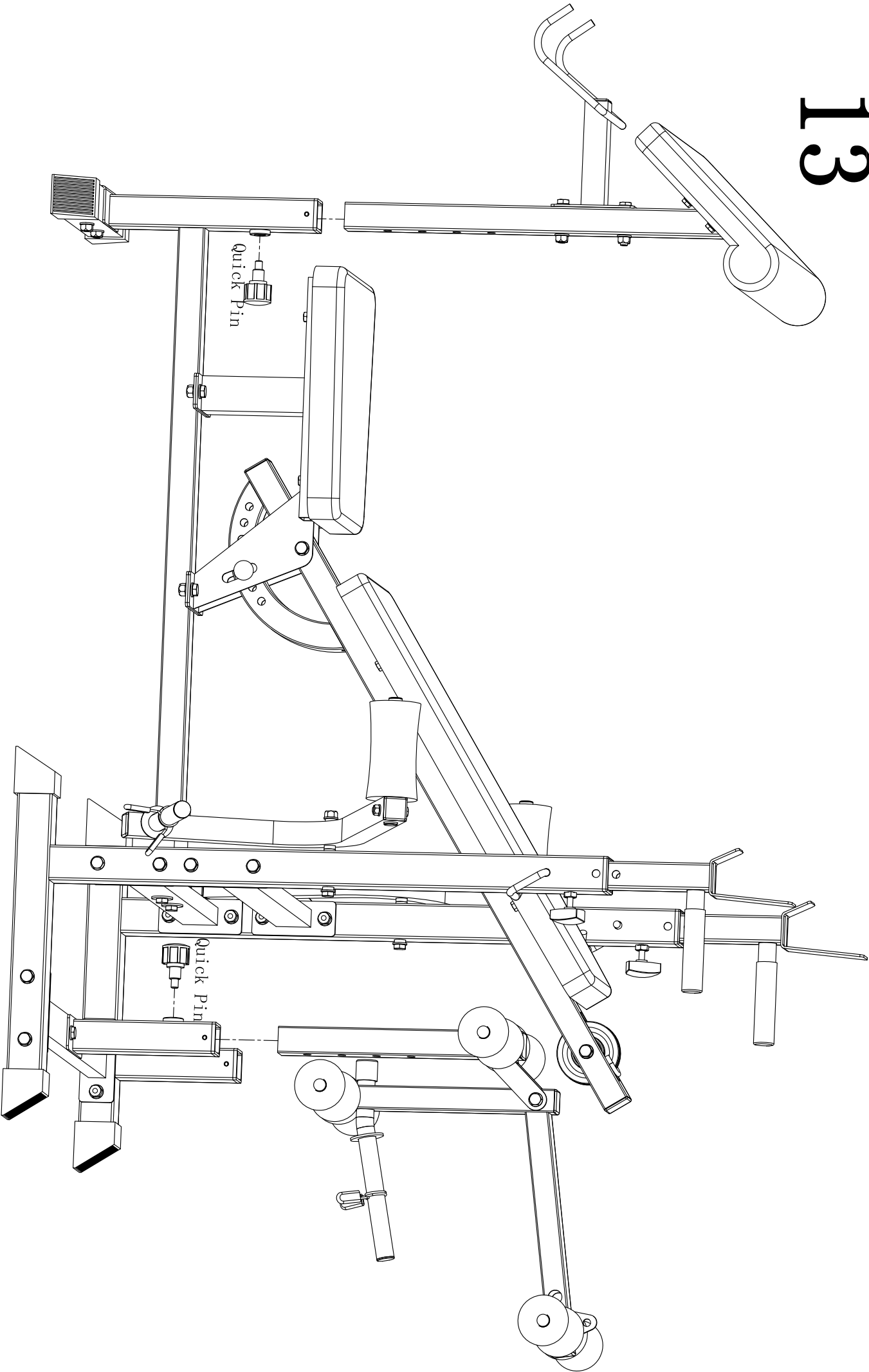


Washer (ø10) -4PCS

# 12

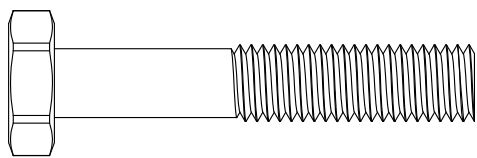
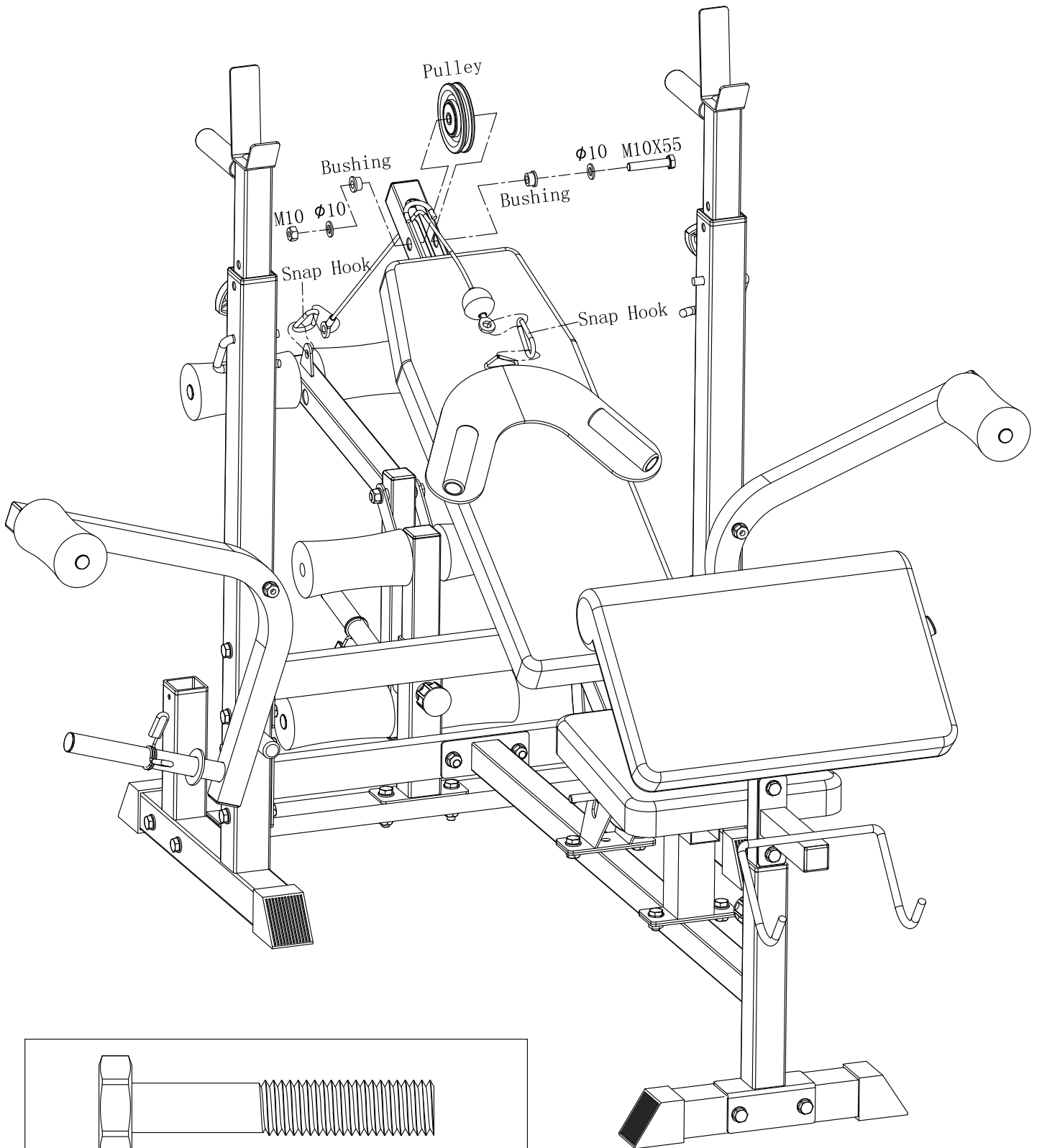


	Hex Bolt (M10*65) - 1PCS
	Nut (M10) - 1PCS
	Washer (φ10) - 2PCS

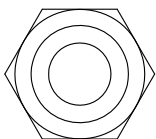




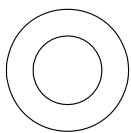
# 14



Hex Bolt (M10\*55) - 1PCS



Nut (M10) - 1PCS



Washer ( $\phi$ 10) - 2PCS