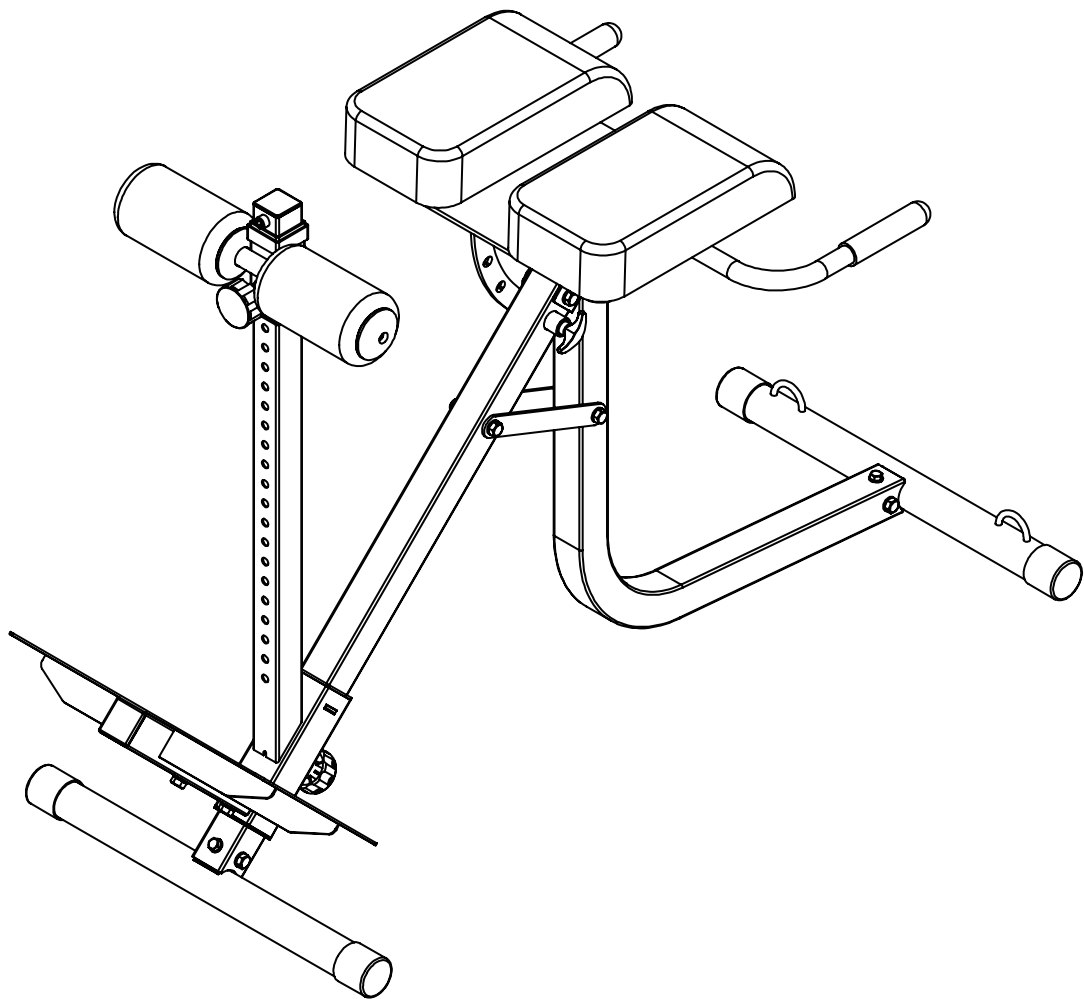


# GORILLA SPORTS

## Adjustable Roman Chair (100874)



## Table of Contents

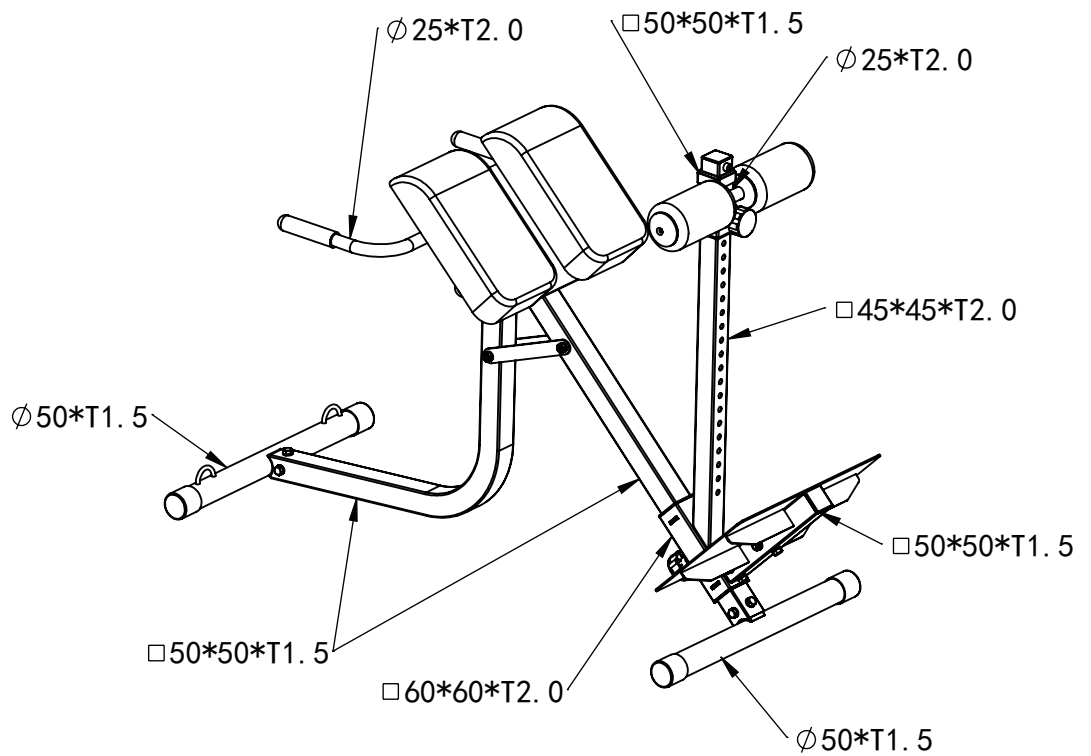
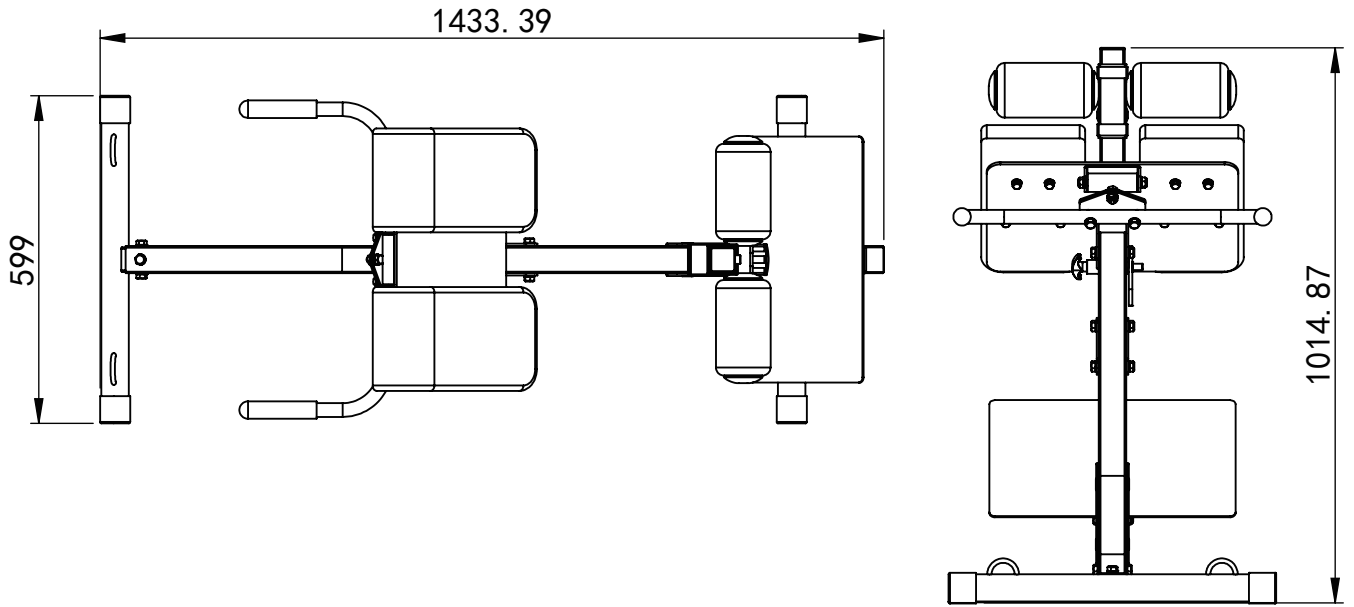


# GORILLA SPORTS

**PROFESSIONAL GYM EQUIPMENT FOR EVERYONE**

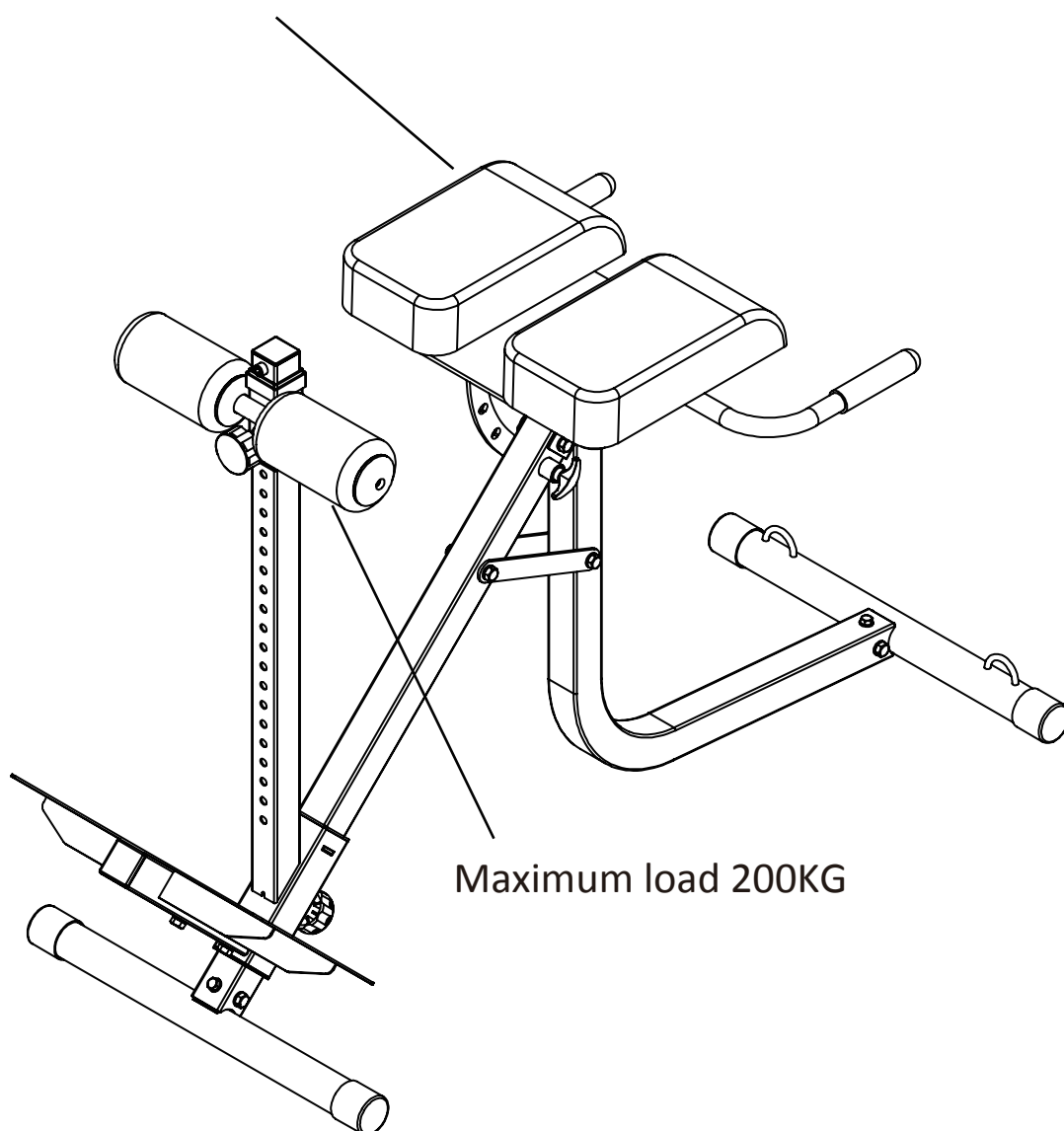
Parametric Diagram.....	3
Product load-bearing instructions.....	4
Spare parts list .....	5
Fasteners drawing .....	6
Assembly step(1).....	7
Assembly step(2).....	8
Assembly step(3).....	9

# Parametric Diagram



# Product load-bearing instructions

Maximum load 200KG



## Spare parts list



# GORILLA SPORTS

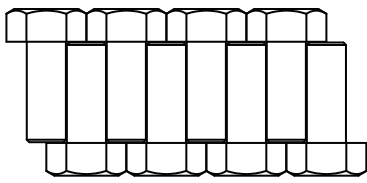
## PROFESSIONAL GYM EQUIPMENT FOR EVERYONE

No.	Description	Note	Qty.
1	bending frame		1
2	front ground frame		1
3	washer	Φ10	28
4	lock nut	M10	11
5	supporting tube		1
6	ground tube		1
7	adjustable tube		1
8	hexagon bolt	M10x70	4
9	fixing plate		2
10	hexagon bolt	M10x16	8
11	cushion		2
12	cushion supporting plate		1
13	hexagon bolt	M8x20	8
14	axis		1
15	washer	Φ8	8
16	footplate		1
17	hexagon bolt	M10x65	2
18	leg lift tube		1
19	hexagon socket button head bolt	M10x16	1
20	handle tube		1
21	hexagon bolt	M10x45	2
22	hexagon bolt	M10x25	1

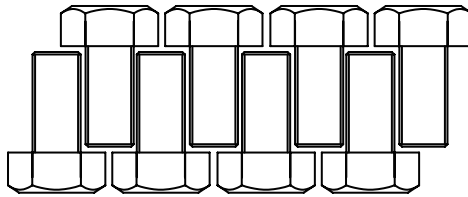


# GORILLA SPORTS

PROFESSIONAL GYM EQUIPMENT FOR EVERYONE



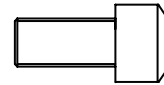
M8\*20 8PCS (13)



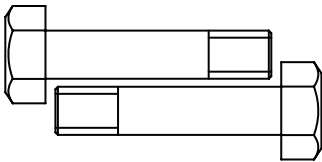
M10\*16 8 PCS (10)



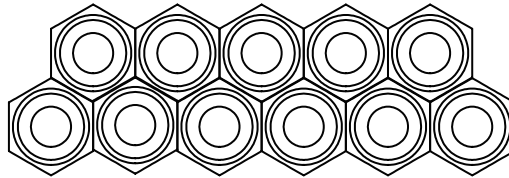
M10\*25 1PC (22)



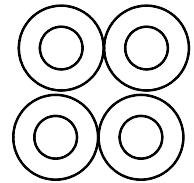
M10\*16 1 PC (19)



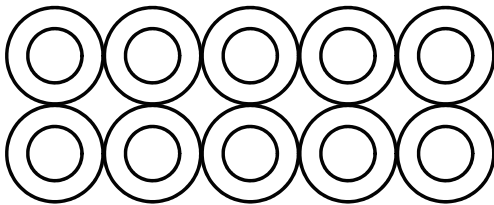
M10\*45 2 PCS (21)



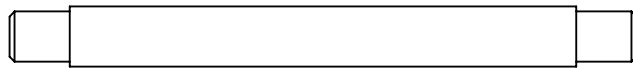
M10 11 PCS (4)



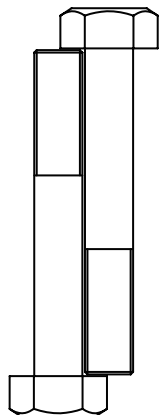
φ 8 8 PCS (15)



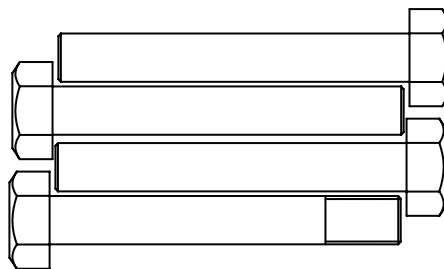
φ 10 28 PCS (3)



M10 1 PC (14)



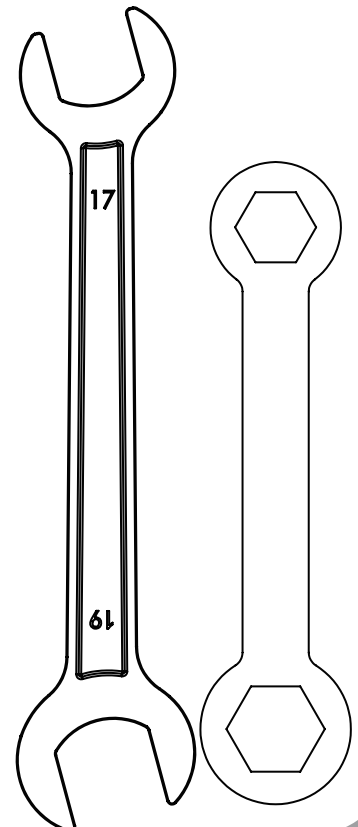
M10\*65 2 PCS (17)



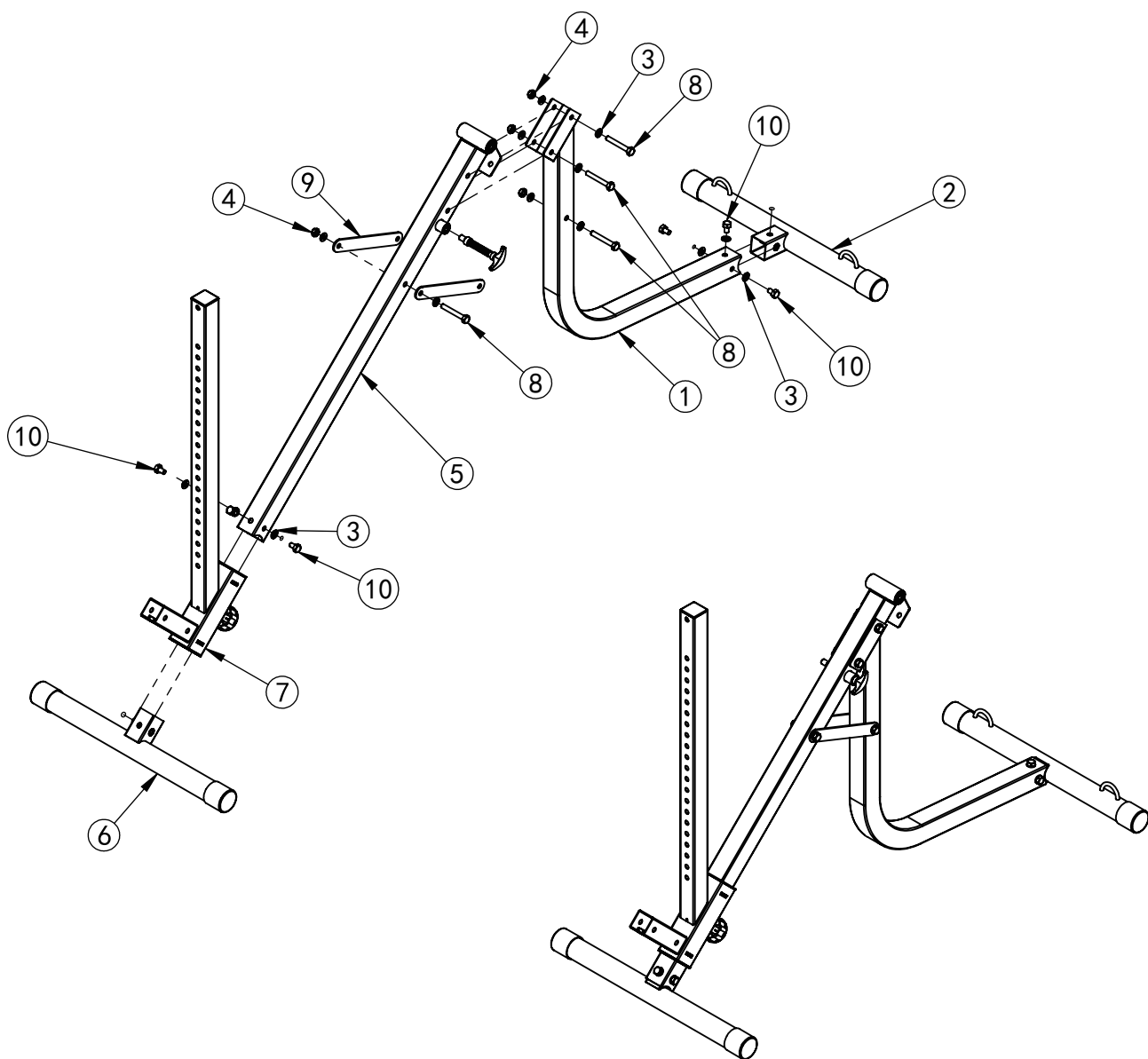
M10\*70 4 PCS (8)



6MM 1PCS

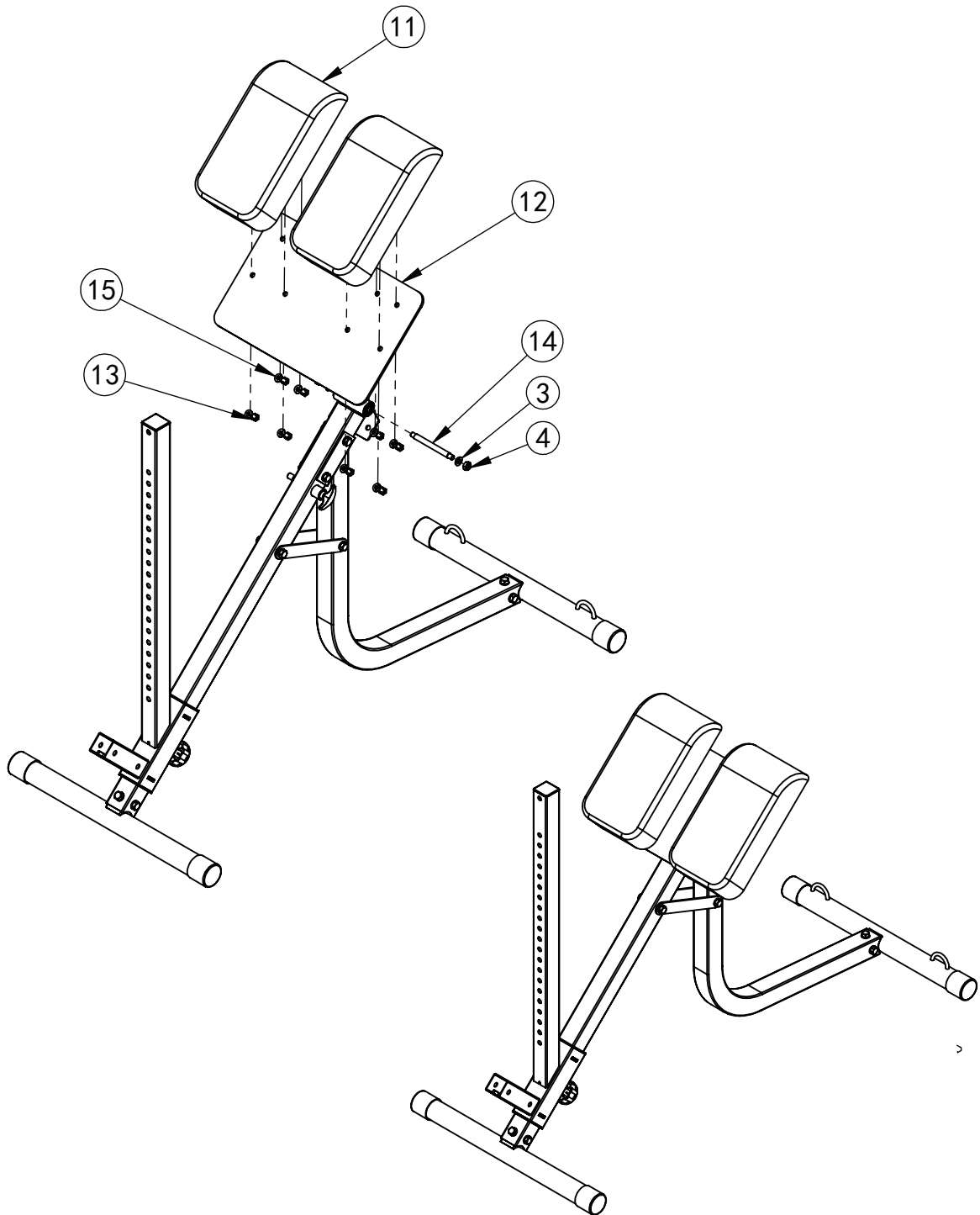


# Assembly step (1) explosion drawing



No.	Description	Note	Qty.
1	bending frame		1
2	front ground frame		1
3	washer	Φ10	14
4	lock nut	M10	4
5	supporting tube		1
6	ground tube		1
7	adjustable tube		1
8	hexagon bolt	M10x70	4
9	fixing plate		2
10	hexagon bolt	M10x16	6

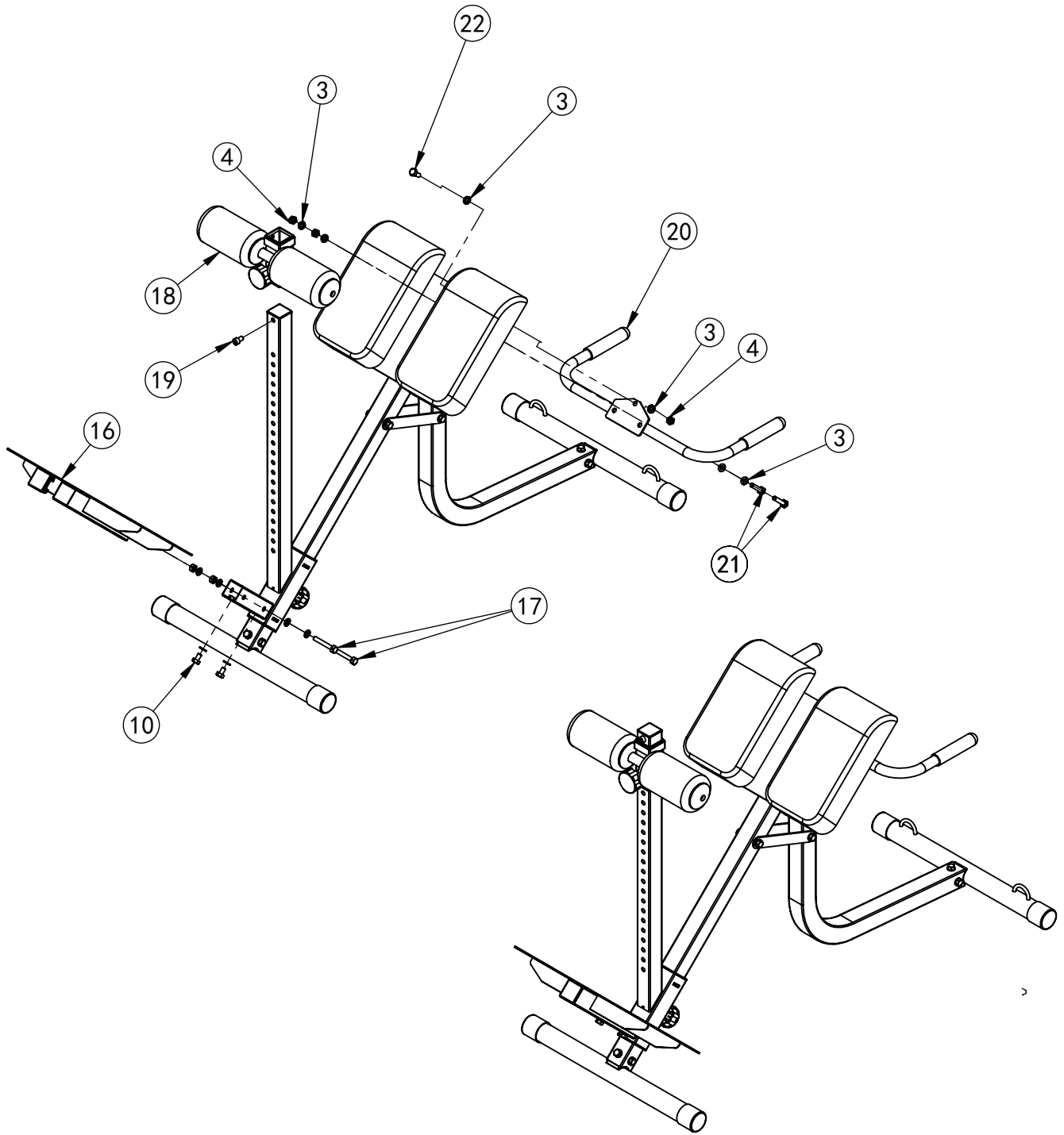
## Assembly step (2) explosion drawing



No.	Description	Note	Qty.
11	cushion		2
3	washer	Φ10	2
4	lock nut	M10	2
12	cushion supporting plate		1
13	hexagon bolt	M8x20	8
14	axis		1
15	washer	Φ8	8



## Assembly step (3) explosion drawing



No.	Description	Note	Qty.
16	footplate		1
17	hexagon bolt	M10x65	2
3	washer	Φ10	12
4	lock nut	M10	5
10	hexagon bolt	M10x16	2
18	leg lift tube		1
19	hexagon socket button head bolt	M10x16	1
20	handle tube		1
21	hexagon bolt	M10x45	2
22	hexagon bolt	M10x25	1