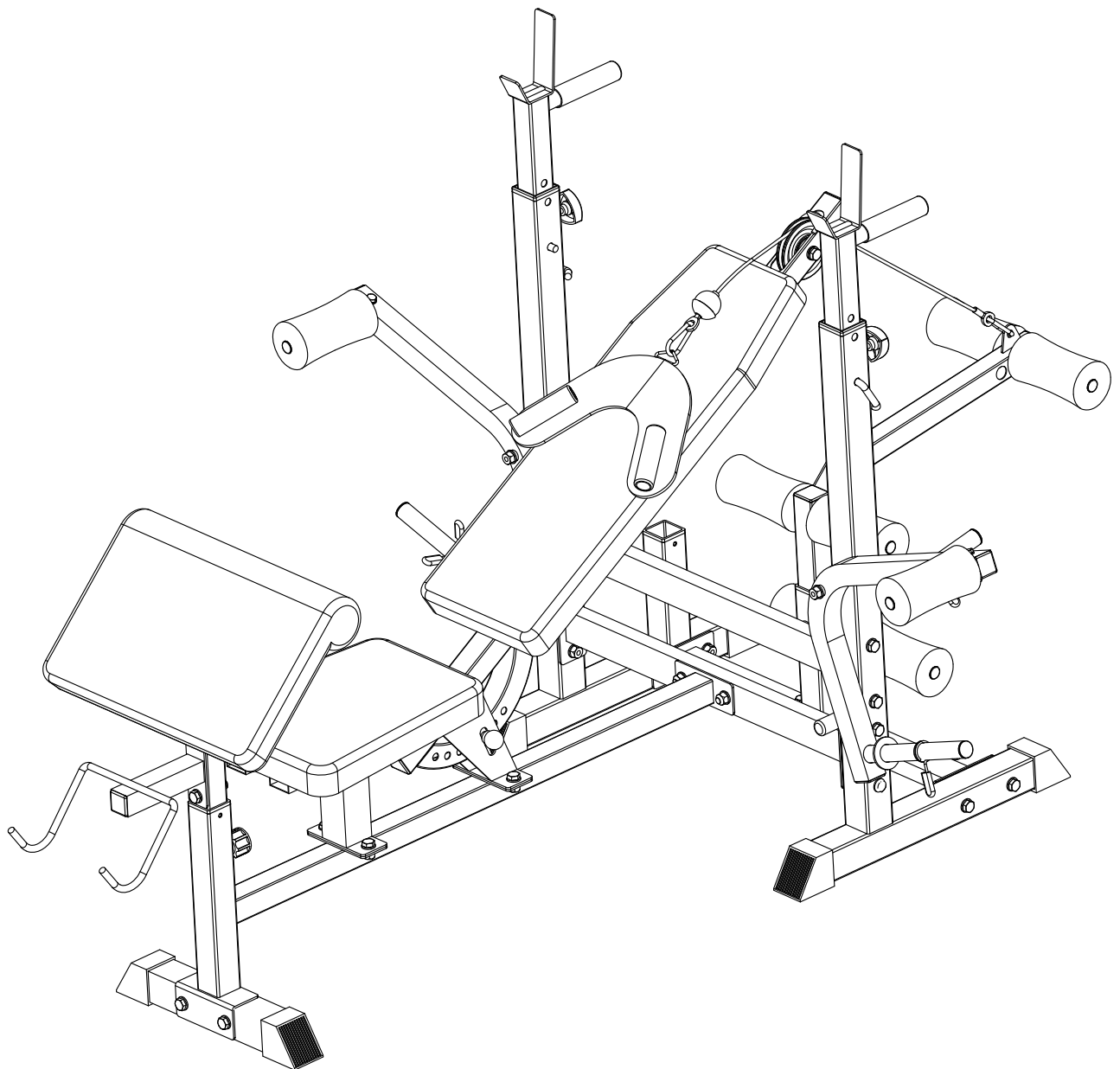


GORILLA SPORTS

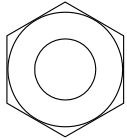
Bench Universal (30000008)





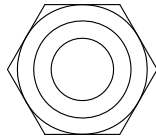
GORILLA SPORTS

Nut: (M8)



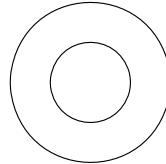
2x

Nut: (M10)



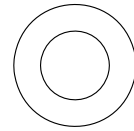
29x

Washer: (ϕ 10)



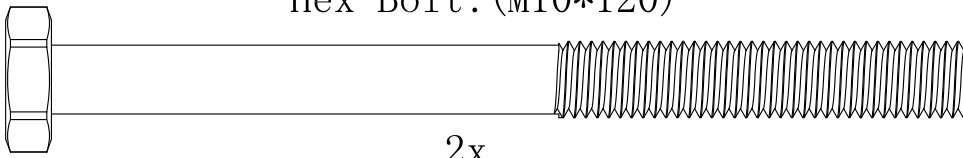
54x

Washer: (ϕ 8)



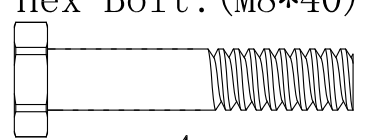
16x

Hex Bolt: (M10*120)



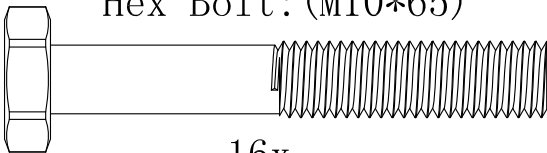
2x

Hex Bolt: (M8*40)



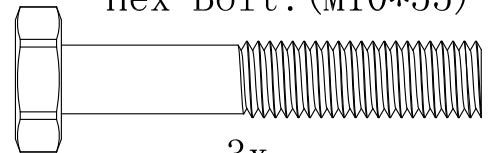
4x

Hex Bolt: (M10*65)



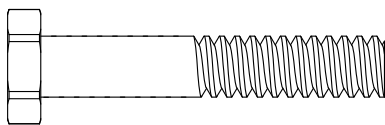
16x

Hex Bolt: (M10*55)



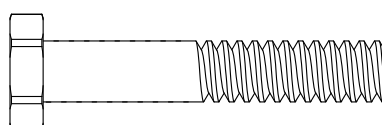
3x

Hex Bolt: (M10*45)



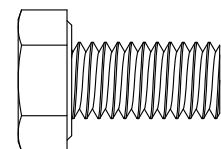
4x

Hex Bolt: (M8*45)



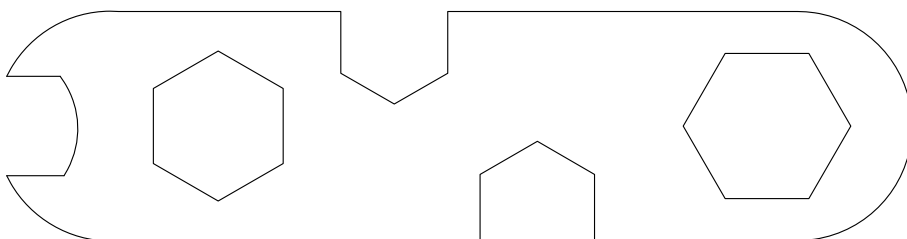
2x

Hex Bolt: (M10*20)



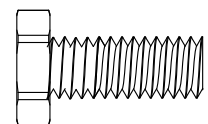
4x

Spanner



2x

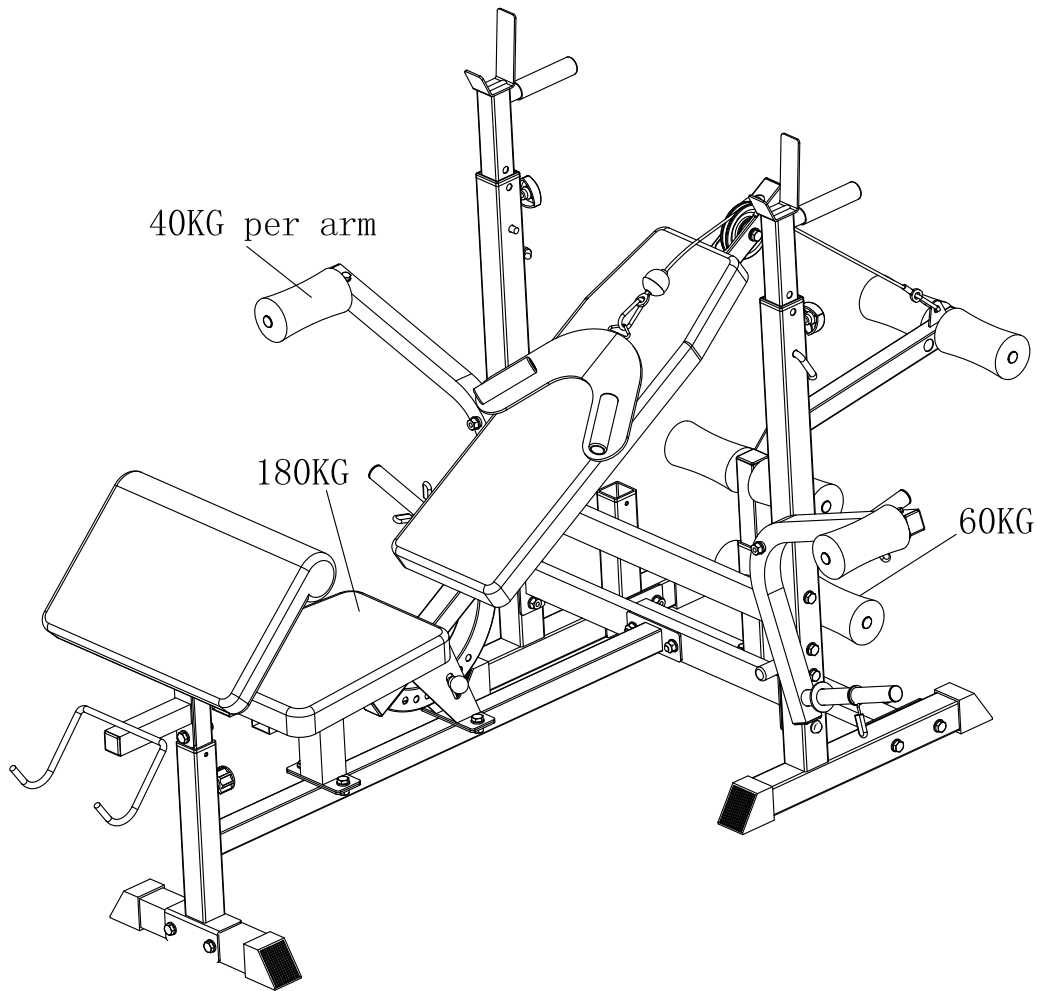
Hex Bolt: (M8*20)



8x

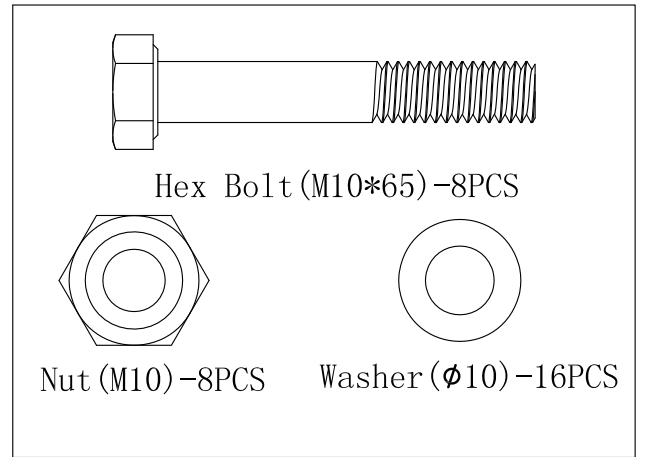


GORILLA SPORTS

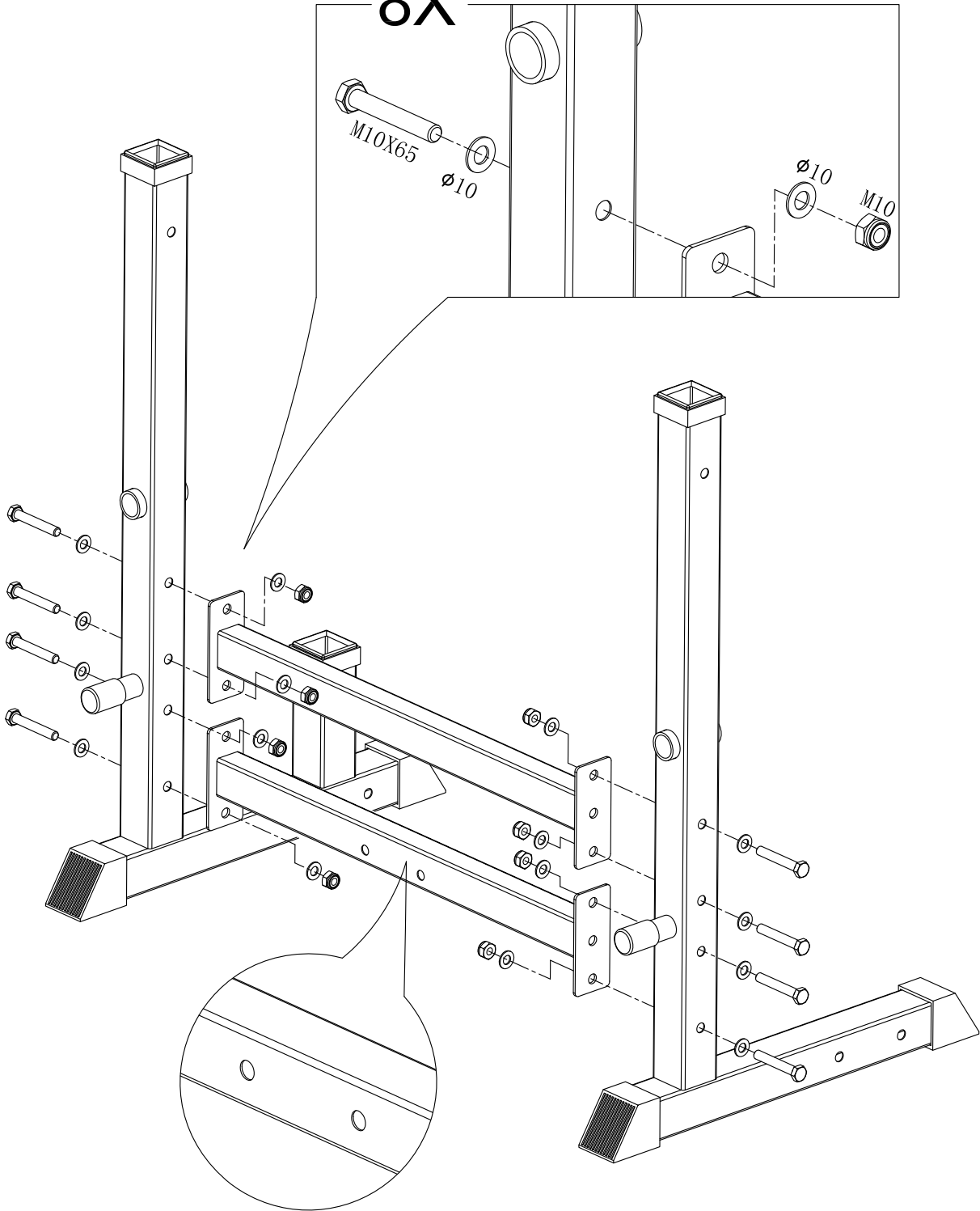


Dimensions complete: 165 cm x 71 cm (139 cm include Butterfly) x 128(max) cm
Maximum loading: 280KG

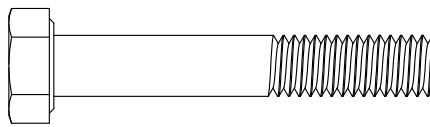
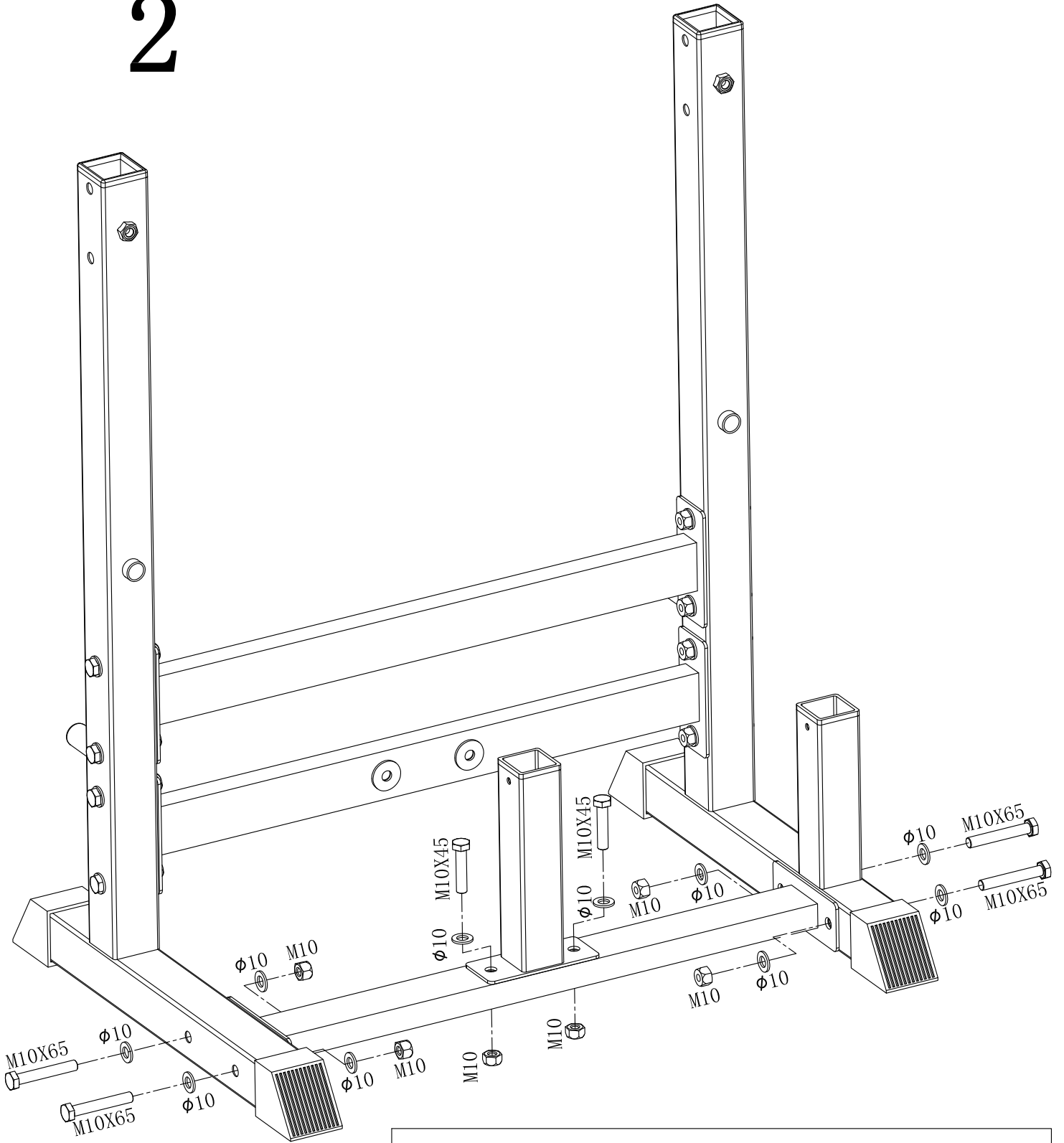
1



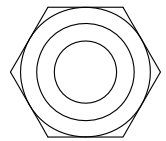
8X



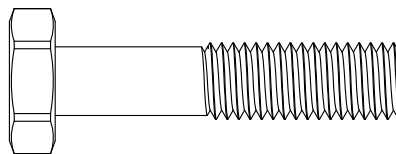
2



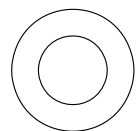
Hex Bolt (M10*65) -4PCS



Nut (M10) -6PCS

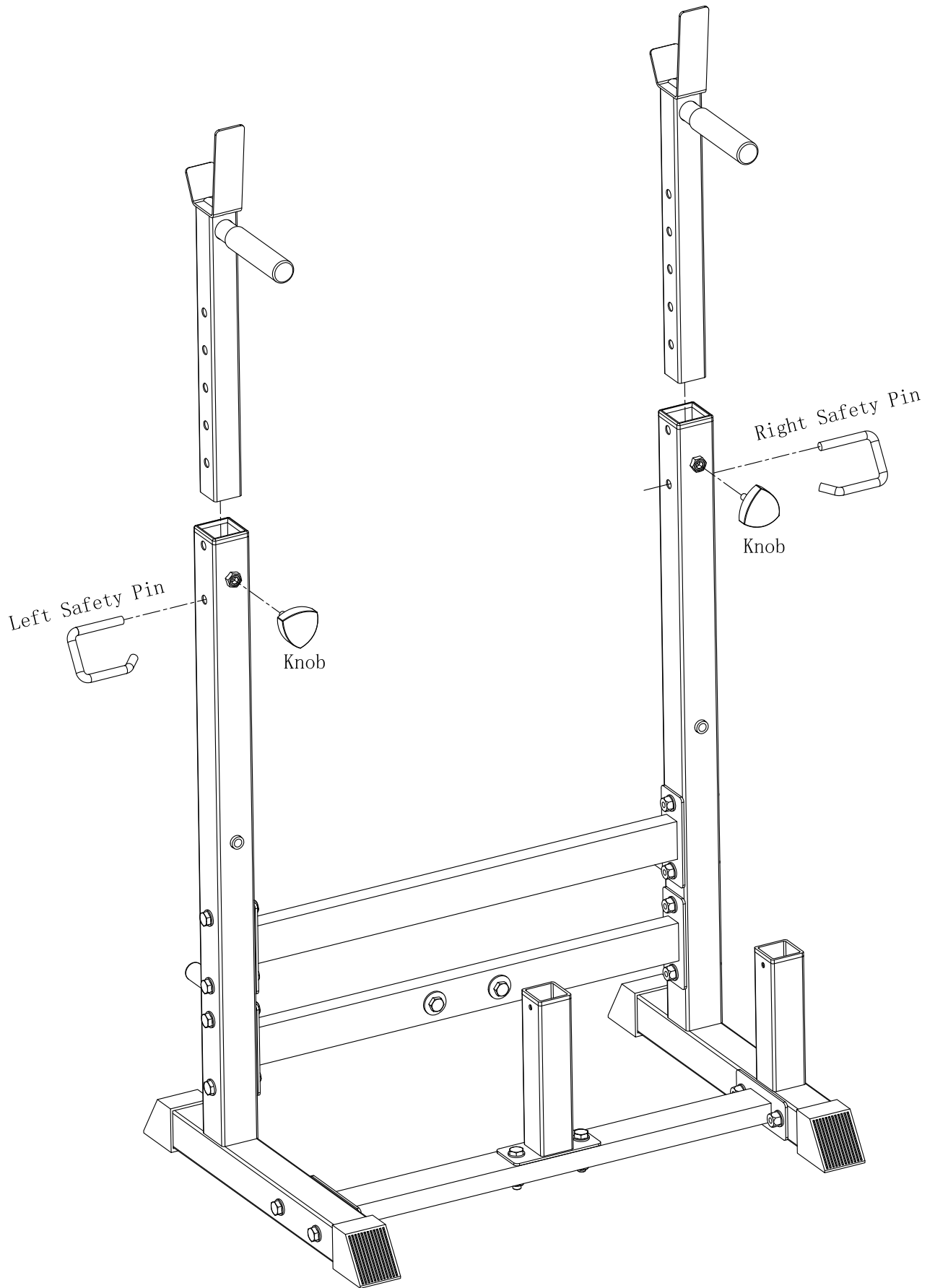


Hex Bolt (M10*45) -2PCS

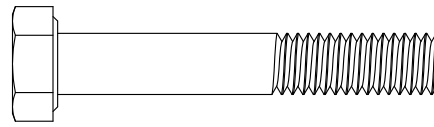


Washer ($\phi 10$) -10PCS

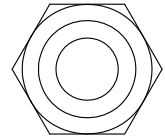
3



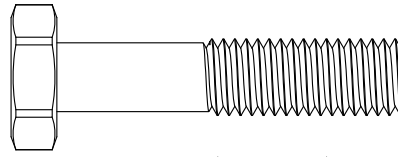
4



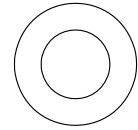
Hex Bolt (M10*65) -2PCS



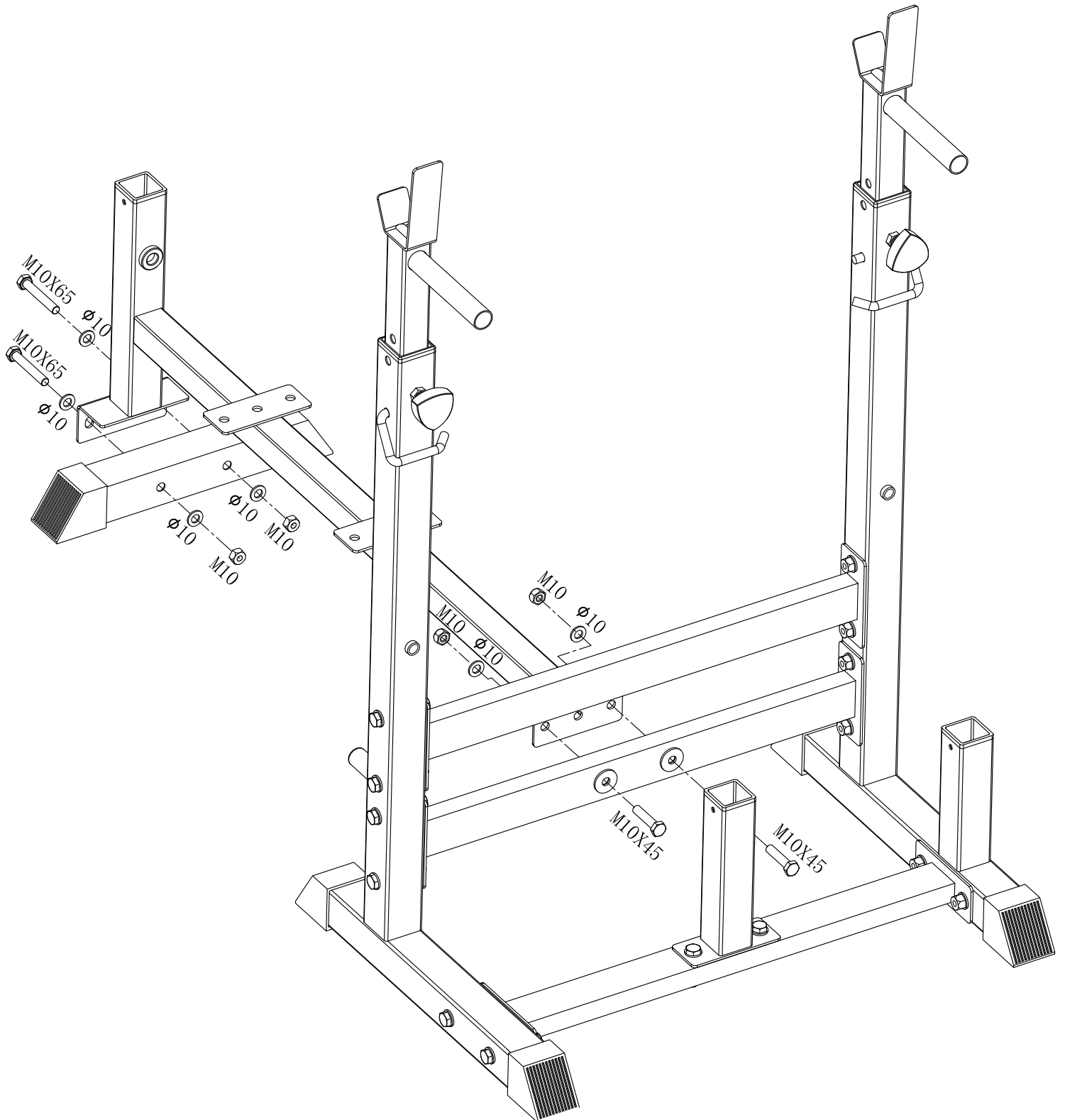
Nut (M10) -4PCS



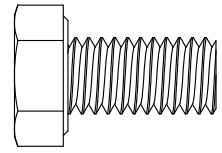
Hex Bolt (M10*45) -2PCS



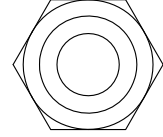
Washer (φ10) -6PCS



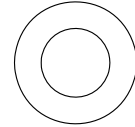
5



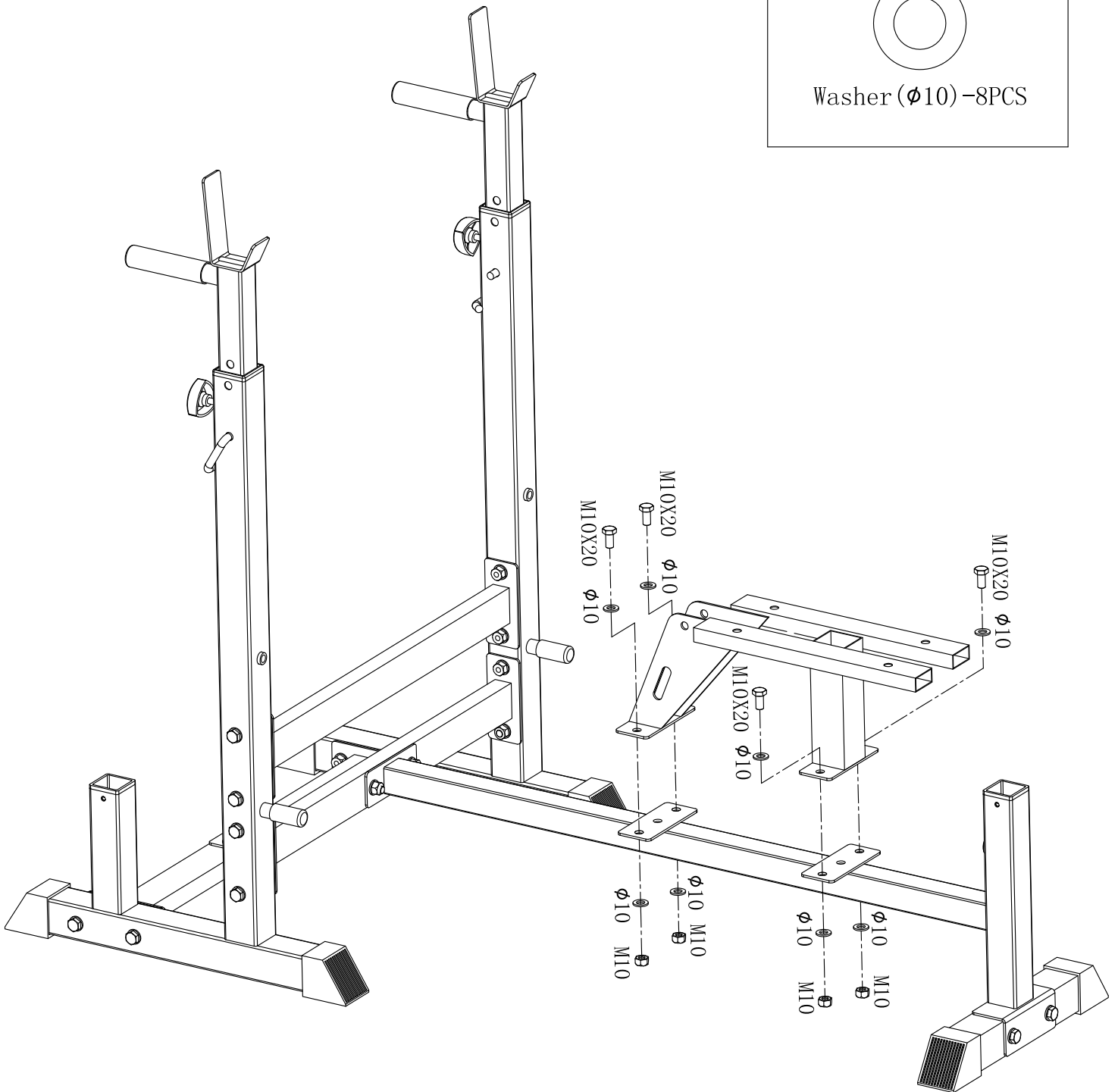
Hex Bolt (M10*20) -4PCS



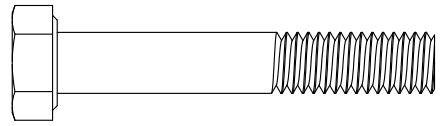
Nut (M10) -4PCS



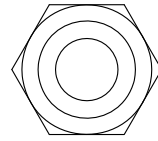
Washer (φ10) -8PCS



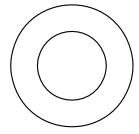
6



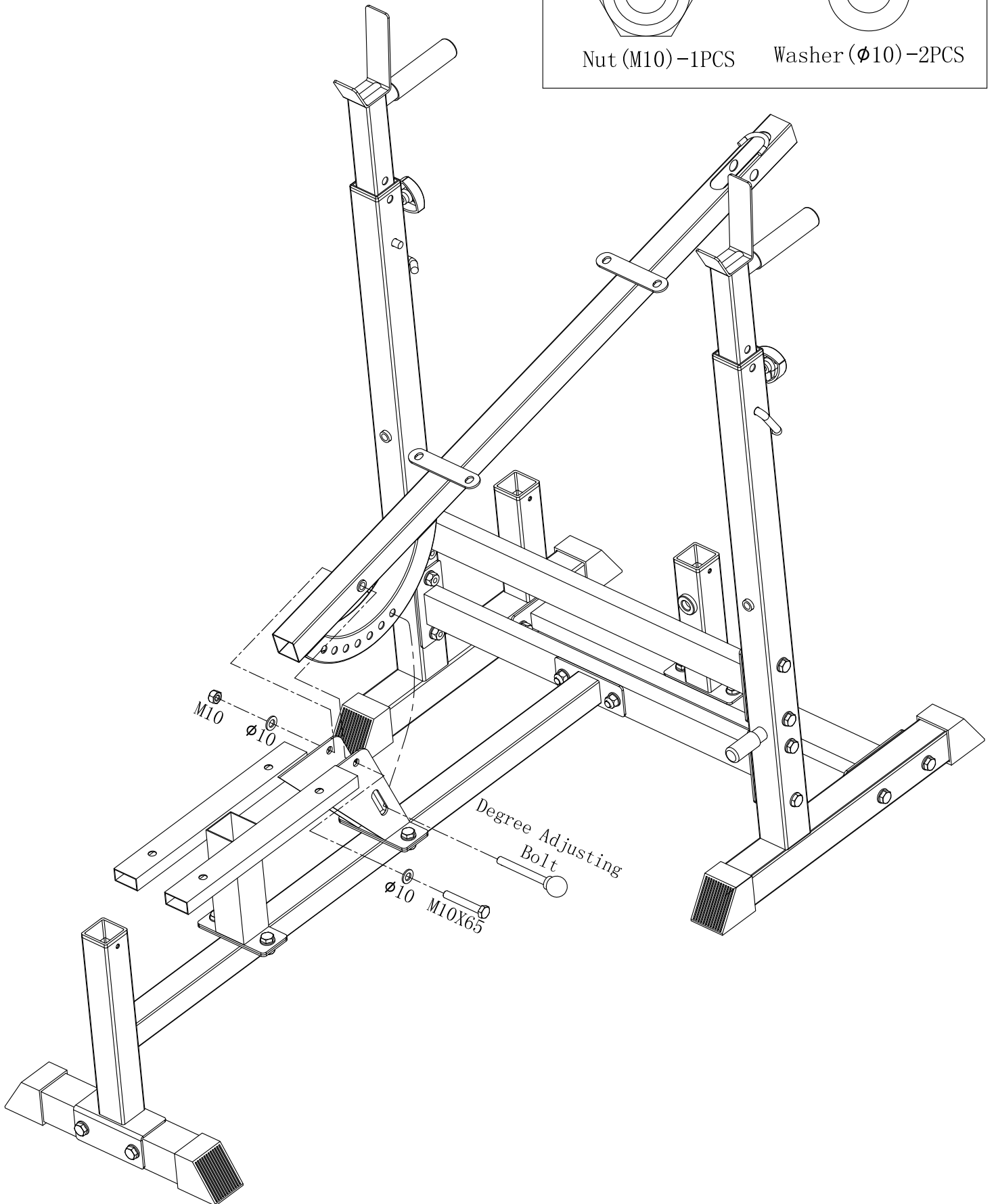
Hex Bolt (M10*65)-1PCS



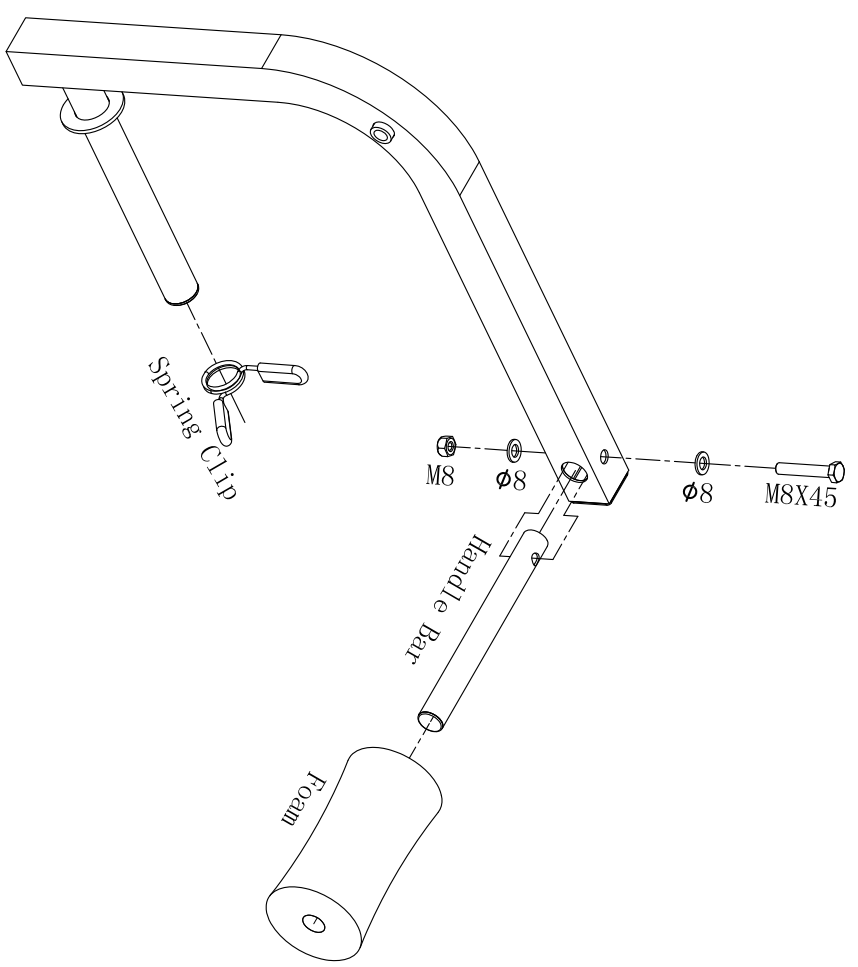
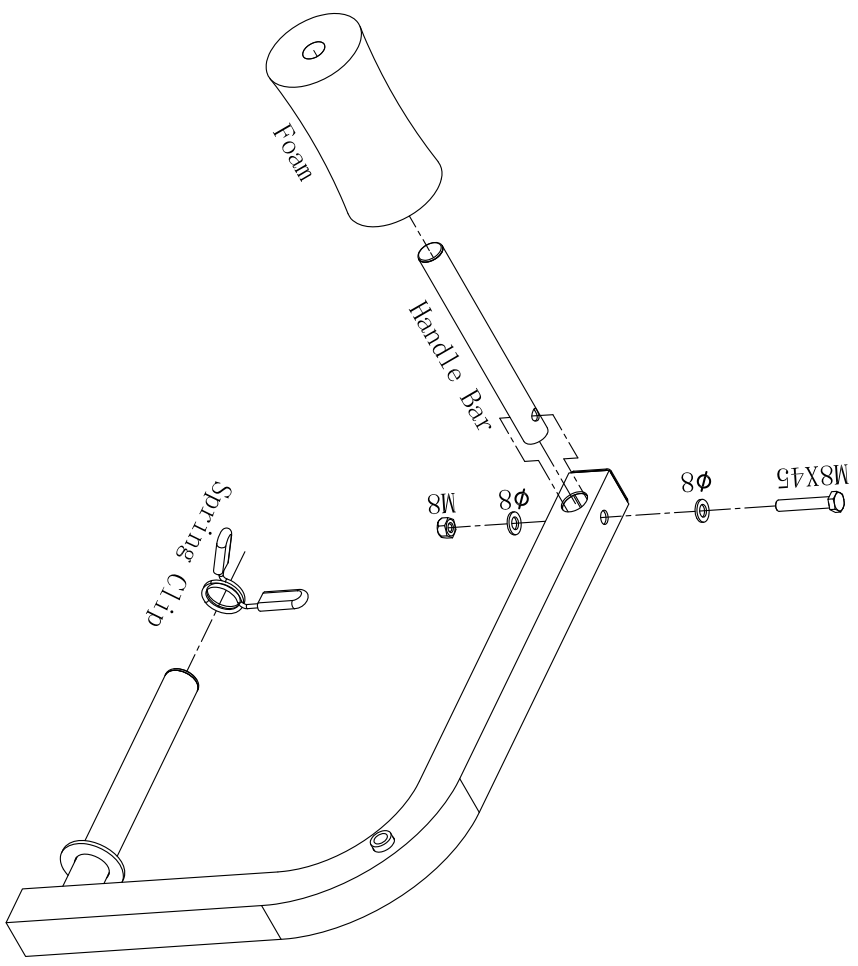
Nut (M10)-1PCS



Washer (φ10)-2PCS

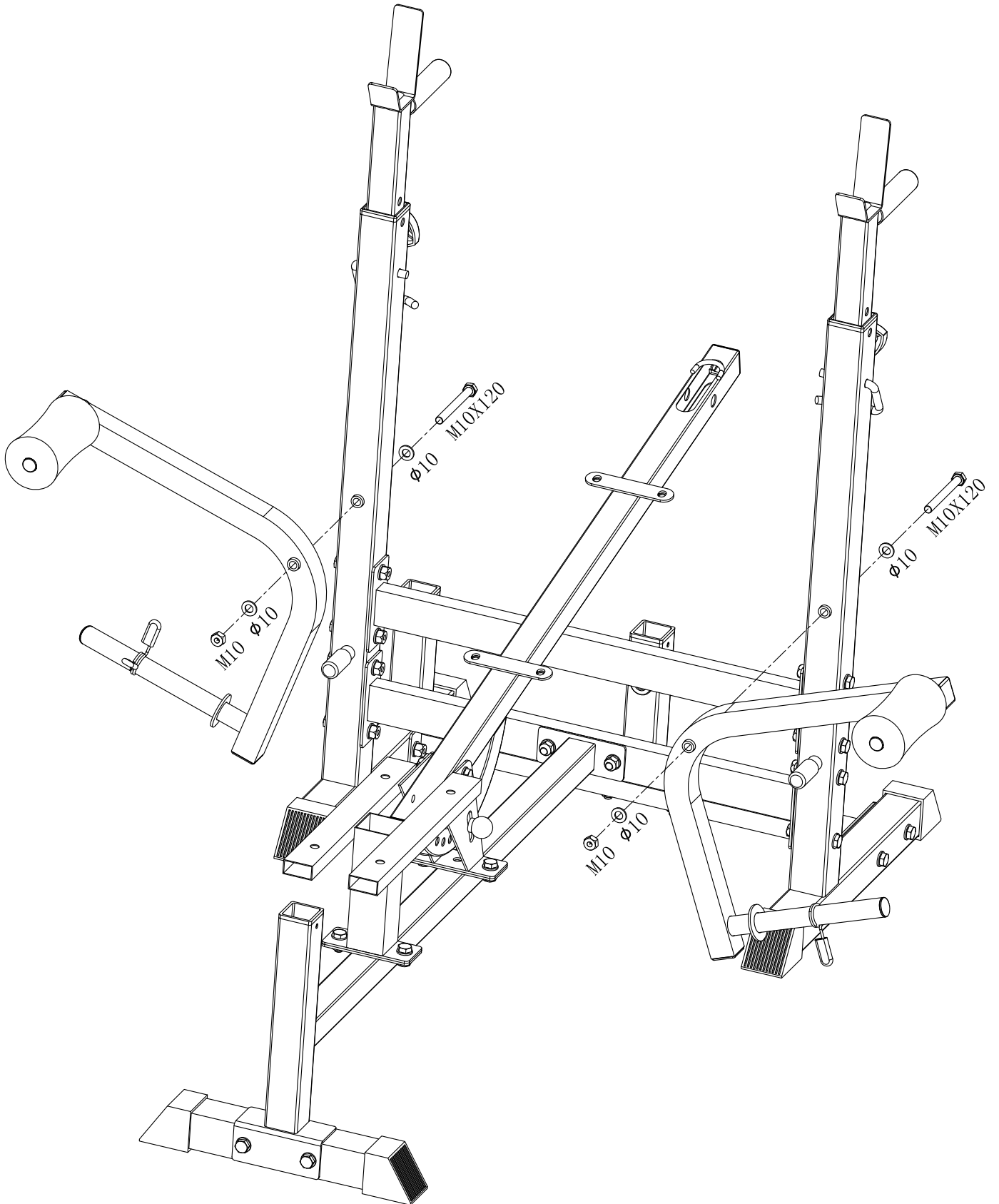
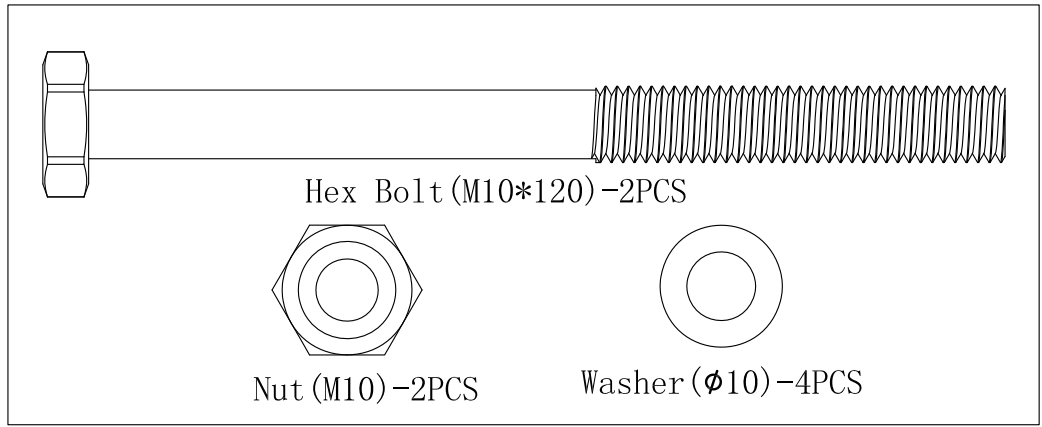


7

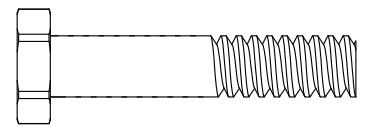


- Hex Bolt (M8*45) - 2PCS
- Nut (M8) - 2PCS
- Washer ($\phi 8$) - 4PCS

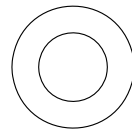
8



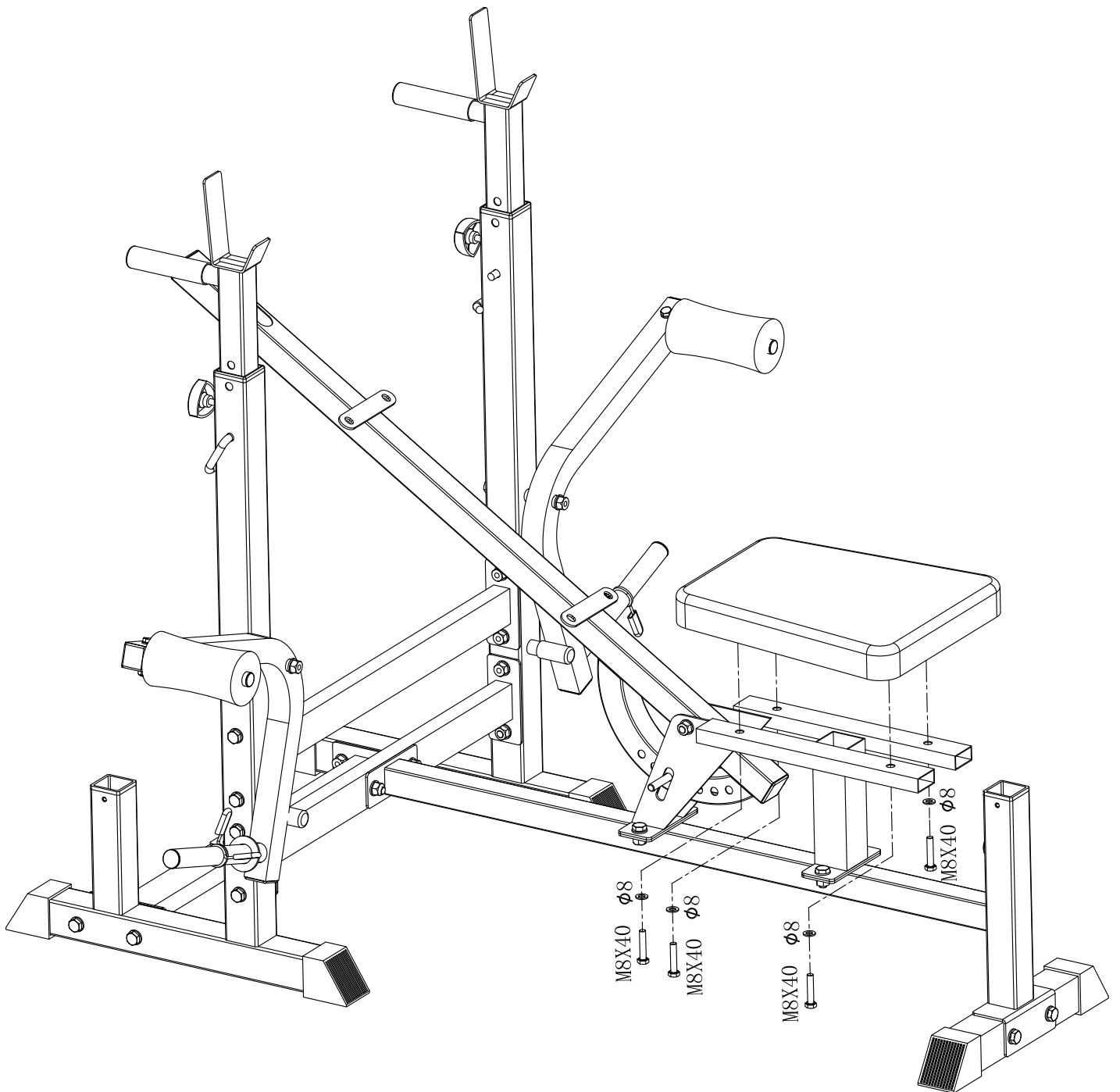
9



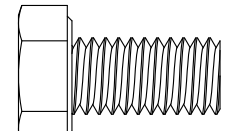
Hex Bolt (M8*40) -4PCS



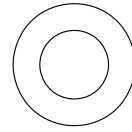
Washer (φ8) -4PCS



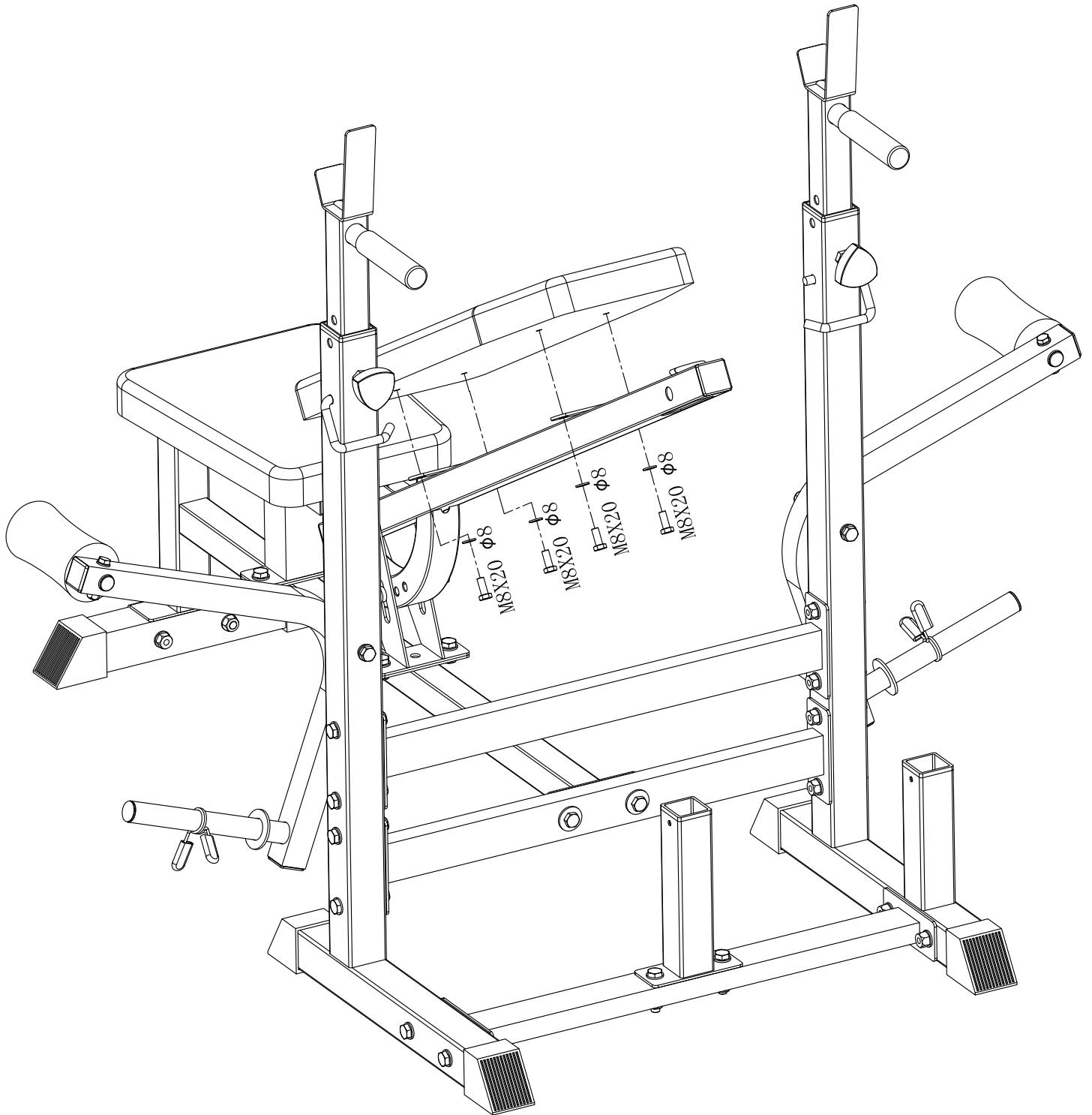
10



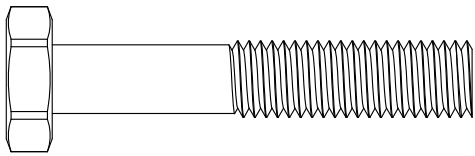
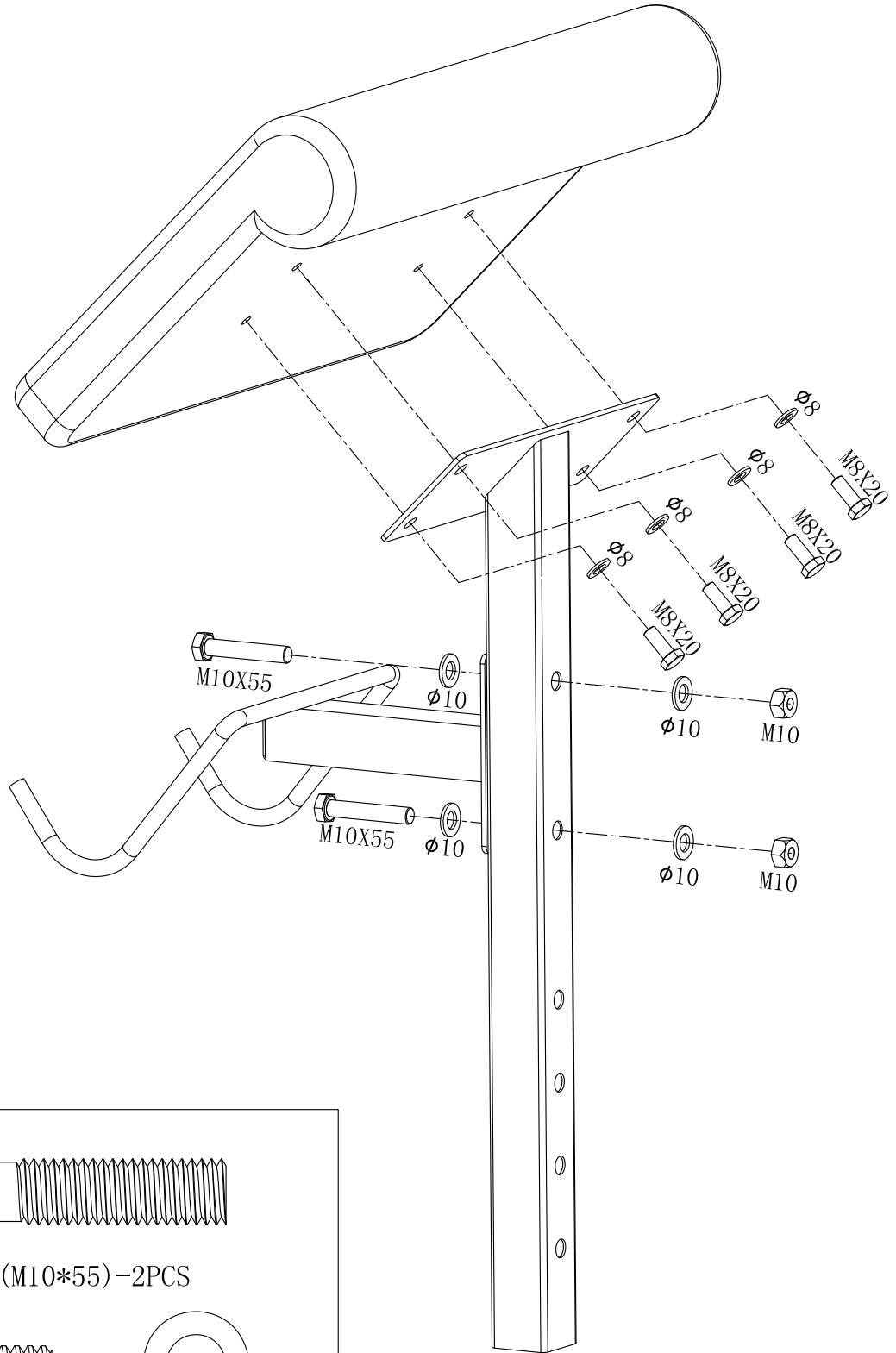
Hex Bolt (M8*20) -4PCS



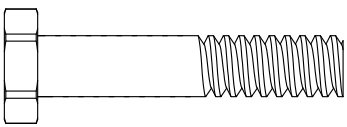
Washer (ø8) -4PCS



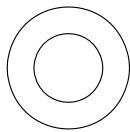
11



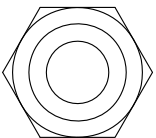
Hex Bolt (M10*55) -2PCS



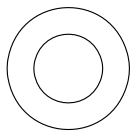
Hex Bolt (M8*20) -4PCS



Washer ($\phi 8$) -4PCS

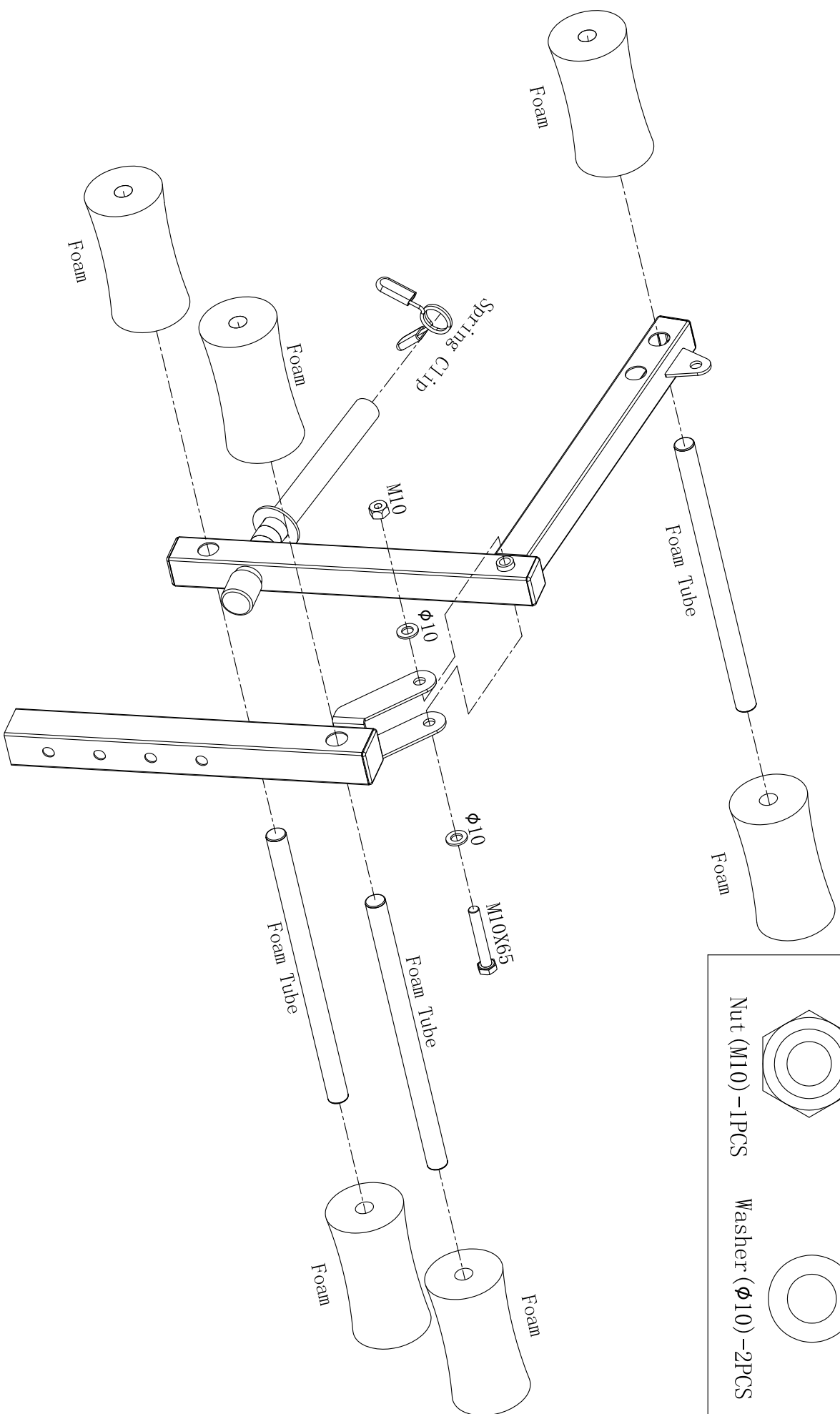


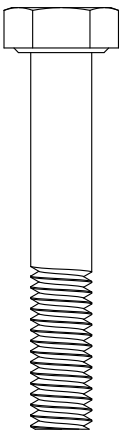
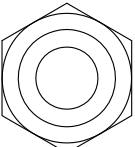
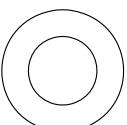
Nut (M10) -2PCS

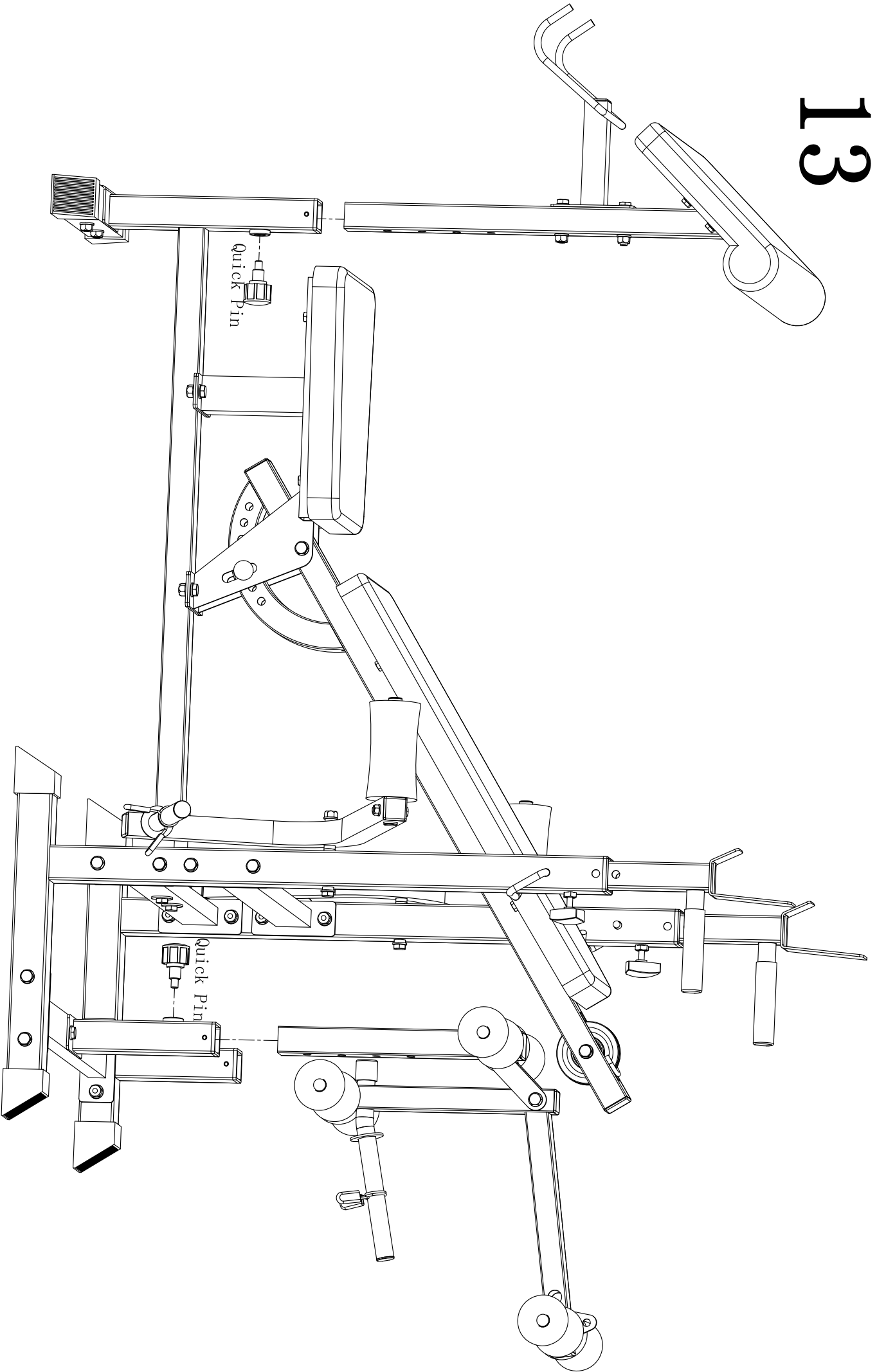


Washer ($\phi 10$) -4PCS

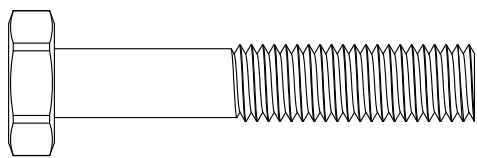
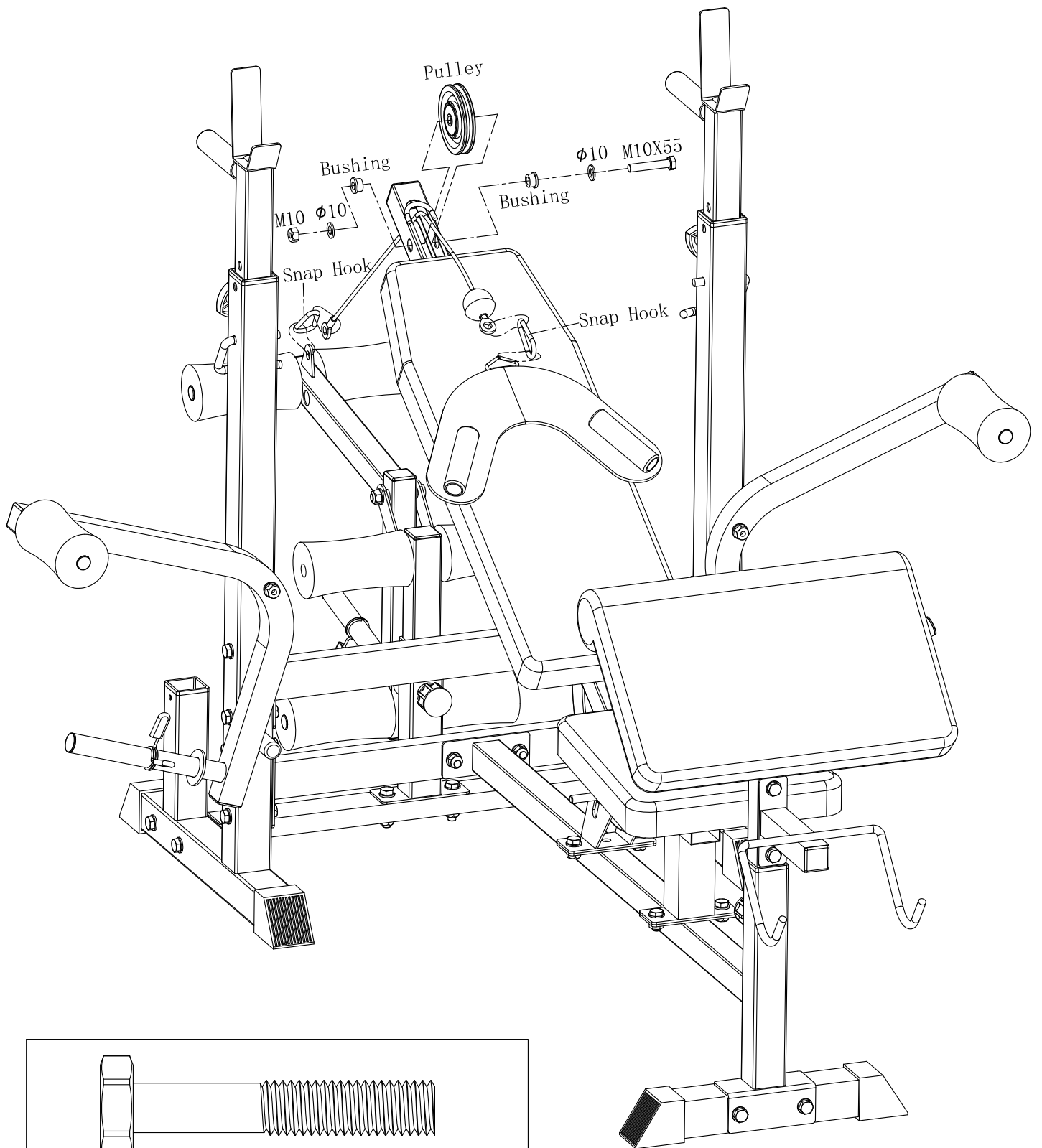
12



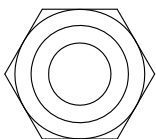
	Hex Bolt (M10*65) - 1PCS
	Nut (M10) - 1PCS
	Washer ($\phi 10$) - 2PCS



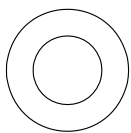
14



Hex Bolt (M10*55) - 1PCS



Nut (M10) - 1PCS



Washer (ϕ 10) - 2PCS